

Model #: HDVR0804-4K



## Features

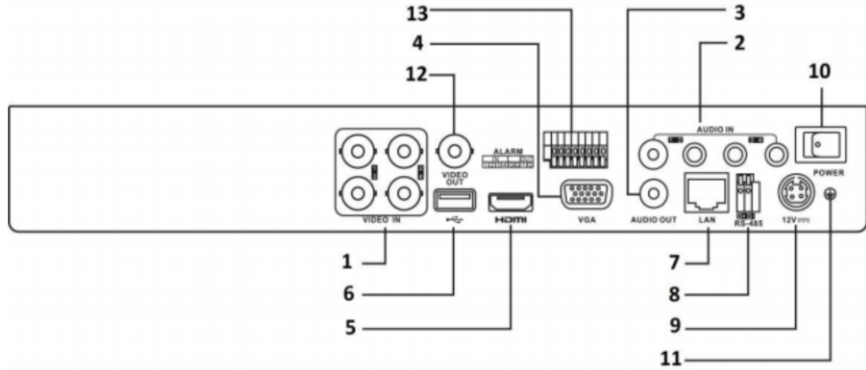
- H.265+/H.265/H264+/H.264 Main Stream Encoding
- Full Channel Recording up to 8MP 4K Resolution
- Support HD-TVI, HD-AHD, HD-CVI and CVBS Analog
- Self-Adaptive HD-TVI/CVBA Analog Singal Input
- HDMI Output Up to 4K 3840 x 2160 Resolution
- VGA Output Up to 1920x1080 Resolution
- Long transmission distance over coax cable
- Full Channel Synchronous Playback
- Support Cloud storage(One Drive, Google Drive or Drop Box)
- Up to 4-ch 6MP ONVIF Conformant IP Camera Input

# Technical Specifications

<b>Model No.</b>	HDVR0804-4K
<b>Video/Audio input</b>	
Video compression	H.264,H.264+, H.265, H.265+
Video input	8-ch
Video input interface	BNC (1.0 Vp-p, 75 Ω)
Supported Camera Types	8MP/5MP/4MP/3MP/1080p/720p/VGA/WD1/4CIF/CIF/QVGA/QCIF
Audio compression	G.711u
Audio input	1-ch
Audio input interface	RCA (2.0 Vp-p, 1 kΩ)
<b>Video /Audio output</b>	
HDMI output	1-ch, 4K (3840 × 2160)/30Hz, 2K (2560 ×1440)/60Hz, 1920 × 1080/60 Hz, 1280 × 1024/60 Hz, 1280 × 720/60Hz, 1024 ×768/60 Hz
VGA output	1-ch, resolution: 1920×1080P / 60Hz, 1280×1024 / 60Hz, 1280×720 / 60Hz, 1024×768 / 60Hz
CVBS Output	1-ch,BNC(1.0Vp-p,75Ω),resolution:PAL:704x576,NTSC:704x480
Recording resolution	Mainstream:8 MP@8fps/5 MP@12fps/4 MP@15fps/3MP@18fps Sub-stream:WD1/4CIF@12fps(non-real-time);CIF/QVGA/QCIF(real-time)
Frame rate	Main stream:25fps(p)/30fps(N) Sub-stream:WD1/4CIF@12fps(non-real-time);CIF/QVGA/QCIF(real-time)
Video bit rate	32 Kbps-10 Mbps
Audio output	4-ch, RCA (Linear, 1 kΩ)
Audio bit rate	64 Kbps
Dual-stream	Support
Stream type	Video, Video & Audio
Synchronous playback	8-ch
Playback Resolution	8MP/5MP/3MP/1080P/720P / VGA / WD1 / 4CIF / CIF / QVGA / QCIF
<b>Network Management</b>	
Remote Connections	128
Network Protocols	TCP/IP, PPPoE, DHCP, Cloud P2P,DNS, DDNS, NTP, SADP, NFS, iSCSI, UPnP™, HTTPS,ONVIF
<b>Hard Disk</b>	
SATA	1 SATA interface
Capacity	Up to 10TB capacity for each disk
<b>External interface</b>	
Network interface	1; 10M / 100M / 1000M self-adaptive Ethernet interface
Serial interface	1; standard RS-485 serial interface, half-duplex
USB interface	1x USB2.0, 1x USB3.0
<b>General</b>	
Power supply	12V DC
Consumption	≤ 20 W
Working temperature	-10 °C ~+55 °C (14 °F ~ 131 °F)
Working humidity	10% ~ 90%
Chassis	1U chassis
Dimensions	315 × 242 × 45mm (12.4 × 9.5 × 1.8 inch)
Weight	≤ 1.5Kg (3.3lb)



Please Note the rear panel of 4 and 8ch DVR provides 4 & 8 video input interfaces.



Index	Description	Index	Description
1	VIDEO IN	8	RS-485 Serial Interface
2	AUDIO IN, RCA Connector	9	12VDC Power Input
3	AUDIO OUT, RCA Connector	10	Power Switch
4	VGA Interface	11	GND
5	HDMI Interface	12	VIDEO OUT
6	USB Interface	13	Alarm In/Out
7	LAN Network Interface		

We reserve the right to modify product design and specification without notice and without incurring any obligation

For more information please contact a DSS Sales Representative  
 Toll Free: 1.888.467.8812 · Fax: 1.609.431.0932 · Email: [sales@dss-cctv.com](mailto:sales@dss-cctv.com)  
[www.dss-cctv.com](http://www.dss-cctv.com)