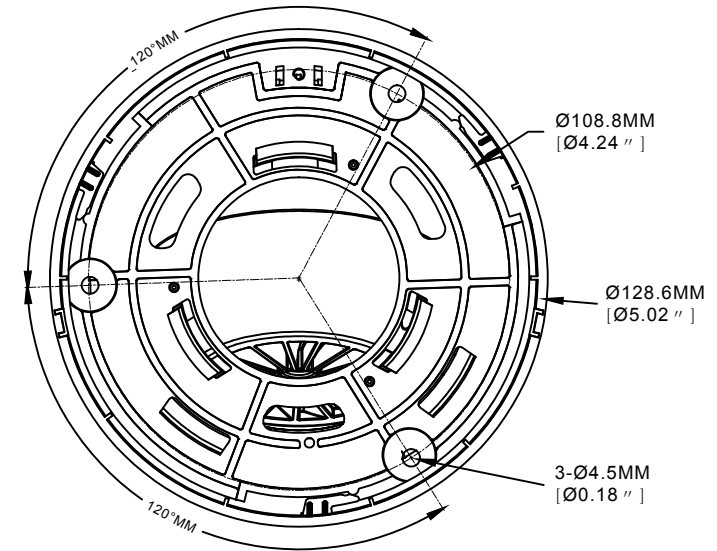
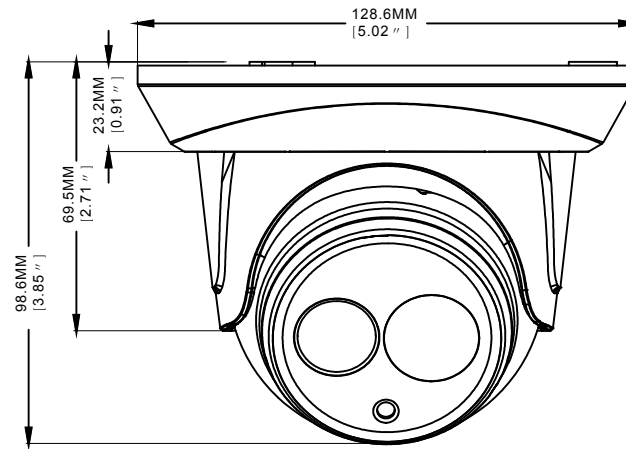
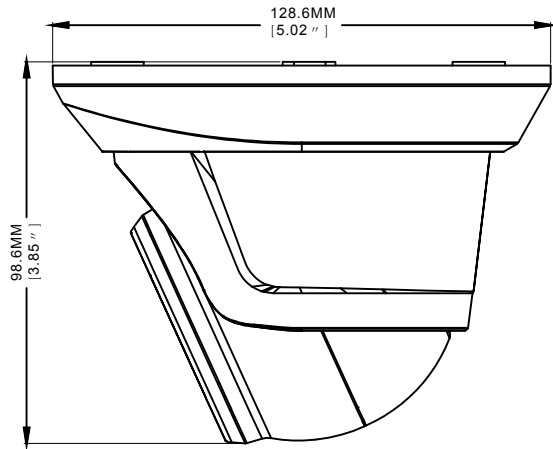




# Dimensions



# Accessories

