

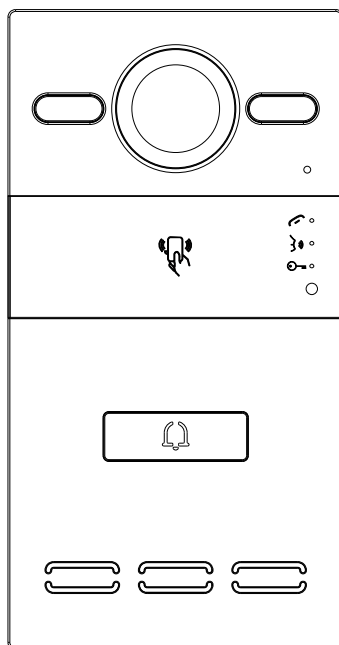
DOOR STATION

MODEL:

S212

S213M

S213K



QUICK START GUIDE

REMARK

Please follow the user manual for correct installation and testing. If there is any doubt please call our tech-supporting and customer center.

Our company applies ourselves to reformation and innovation of our products. No extra notice for any change. The illustration shown here is only for reference. If there is any difference, please take the actual product as the standard.

The product and batteries must be handled separately from household waste. When the product reaches the end of service life and needs to be discarded, please contact the local administrative department and put it in the designated collection points in order to avoid the damage to the environment and human health caused by any disposal. We encourage recycling and reusing the material resources.

CATALOG

Package Contents	1
Pictures.....	4
Basic Operation	7
System Configuration	8
System Diagram.....	9
Installation.....	11
Safety Instructions	19

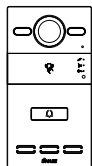
For specific operation instructions, please scan the following QR code to obtain the full version of the User Manual.



PACKAGE CONTENTS

Please make sure the package contains the following items:

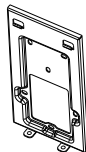
MODEL: S212(Surface Mounting)



Door Station



Screw Fixing Seat



Rear Cover



Screw



Wiring Cover



Sealing Plug of
Wiring Port



Junction Pressing Plate

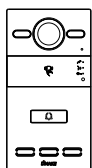


Quick Start Guide

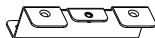


Wrench

MODEL: S212(Flush Mounting)



Door Station



Mounting
Bracket*2



Decorative
Panel



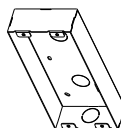
Screw



Wiring Cover



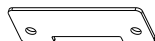
Sealing Plug of
Wiring Port



Flush Mounting Box



Quick Start Guide



Junction Pressing
Plate

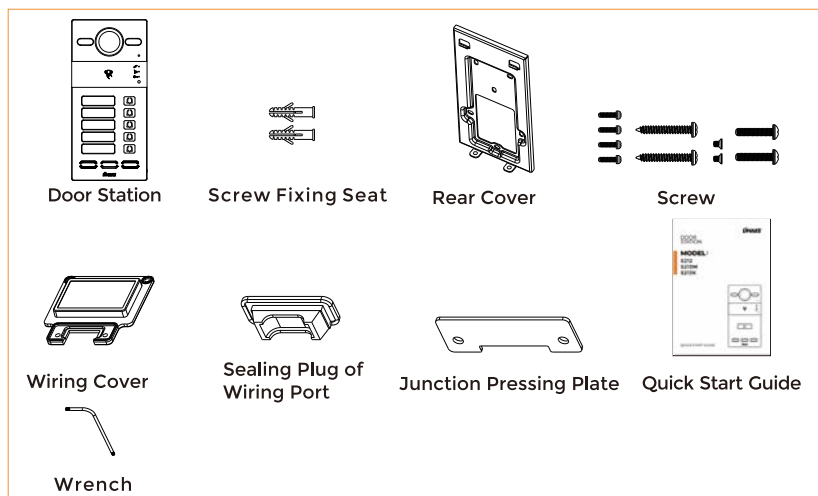


Screw Fixing Seat

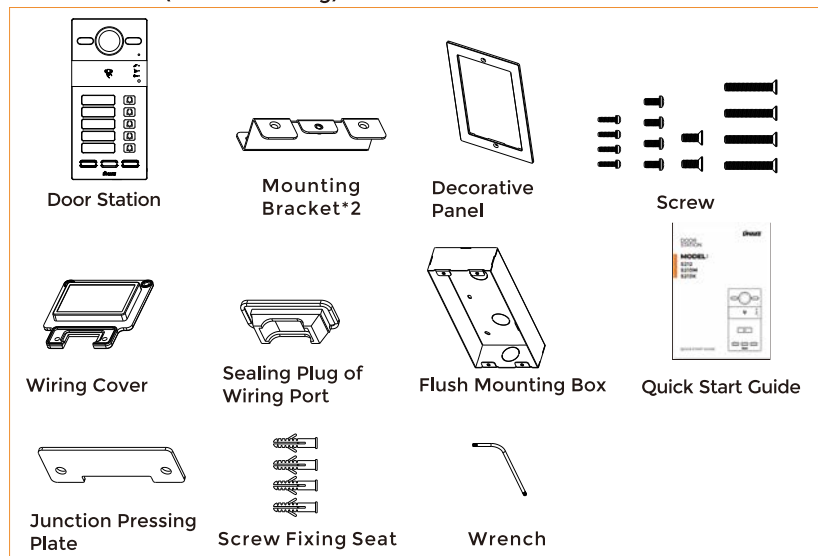


Wrench

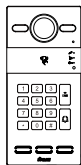
MODEL: S213M(Surface Mounting)



MODEL: S213M(Flush Mounting)



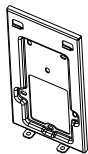
MODEL: S213K(Surface Mounting)



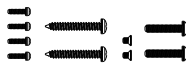
Door Station



Screw Fixing Seat



Rear Cover



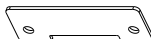
Screw



Wiring Cover



Sealing Plug of Wiring Port



Junction Pressing Plate

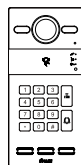


Quick Start Guide



Wrench

MODEL: S213K(Flush Mounting)



Door Station



Mounting Bracket*2



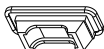
Decorative Panel



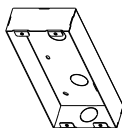
Screw



Wiring Cover



Sealing Plug of Wiring Port



Flush Mounting Box



Quick Start Guide



Junction Pressing Plate



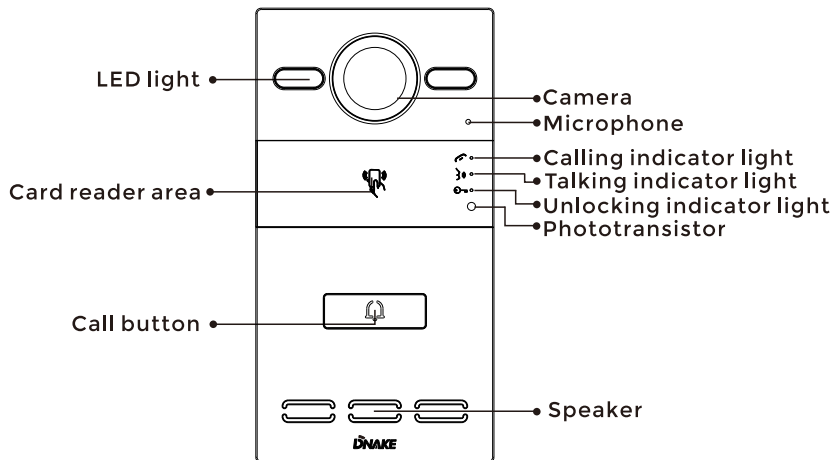
Screw Fixing Seat



Wrench

PICTURES

MODEL: S212



Note:

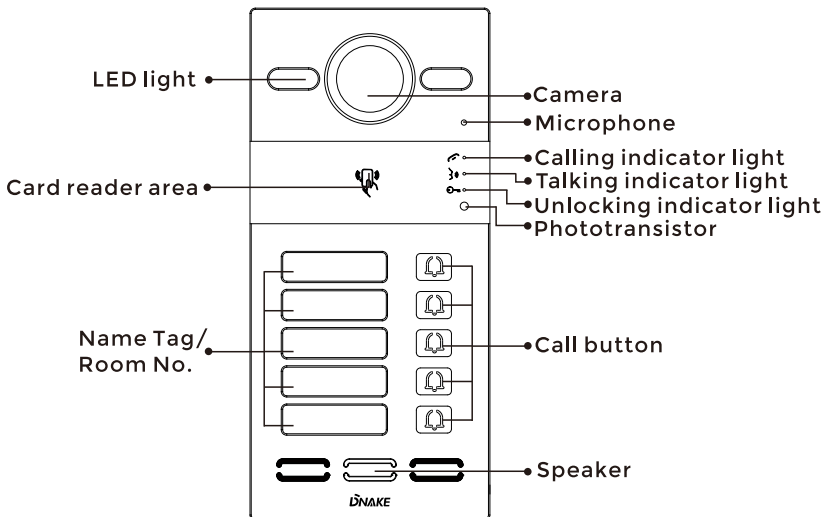
Calling indicator light: The 1st indicator light will be turned on if the calling button is pressed.

Talking indicator light: The 2nd indicator light will be turned on if the call is picked up or Door Station is monitored.

Unlocking indicator light: The 3rd indicator light will be turned on for 3s when the door is opened.

Relay Outputs: Support 2 relay outputs.

MODEL: S213M



Note:

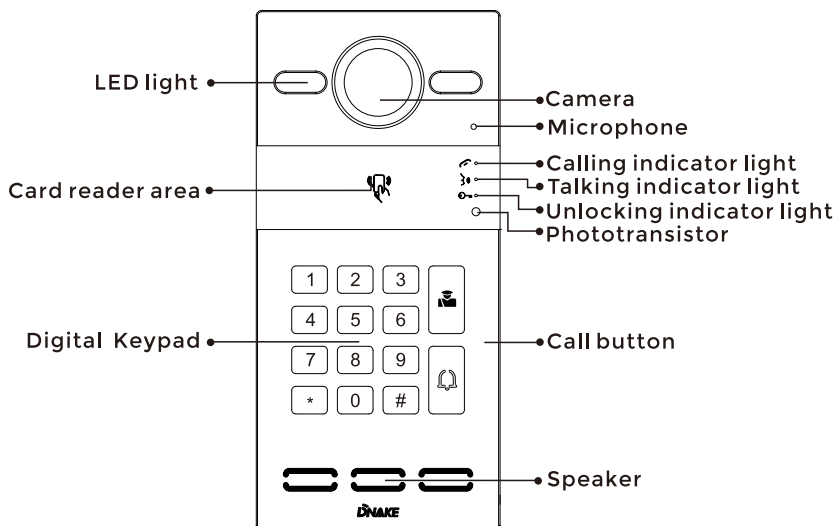
Calling indicator light: The 1st indicator light will be turned on if the calling button is pressed.

Talking indicator light: The 2nd indicator light will be turned on if the call is picked up or Door Station is monitored.

Unlocking indicator light: The 3rd indicator light will be turned on for 3s when the door is opened.

Relay Outputs: Support 2 relay outputs.

MODEL: S213K



Note:

Calling indicator light: The 1st indicator light will be turned on if the calling button is pressed.

Talking indicator light: The 2nd indicator light will be turned on if the call is picked up or Door Station is monitored.

Unlocking indicator light: The 3rd indicator light will be turned on for 3s when the door is opened.

Relay Outputs: Support 2 relay outputs.

BASIC OPERATION

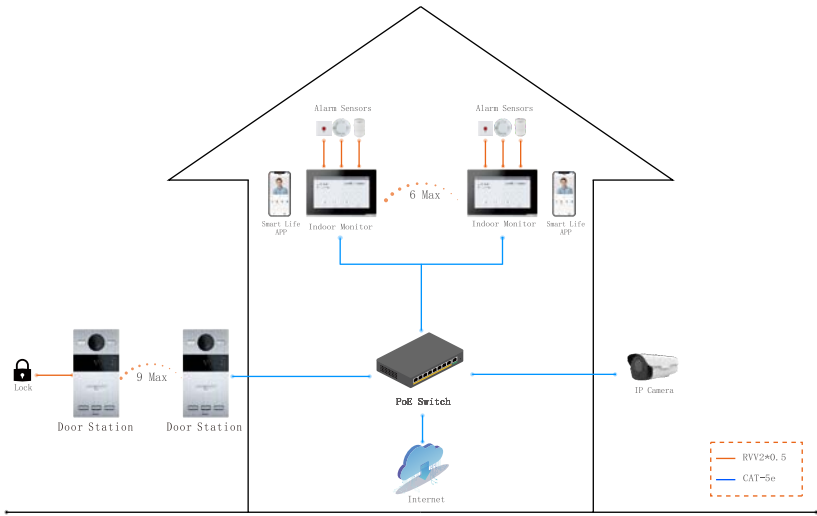
1. Call indoor monitor

In standby mode, press the call button on door station to call indoor monitor. During the call, press the call button on door station again to end the call. If the call fails or indoor monitor is busy, door station will emit a beep.

2. Unlocking by card

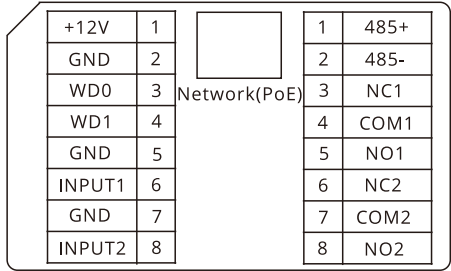
Put the registered IC/ID card on card reader area of the door station. If IC/ID card has been authorized, after unlocking the door by card, the system will issue a ringtone and indicator light is on for 3 seconds, otherwise it will emit a beep.

SYSTEM CONFIGURATION



Mounting Bracket*2

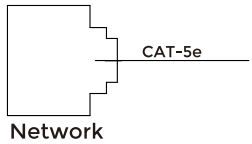
SYSTEM DIAGRAM



1. Network(PoE)

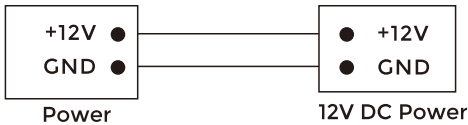
Standard RJ45 interface connects with master station, indoor monitor or other network equipment by network switch.

PSE of power supply equipment shall comply with IEEE 802.3at (POE plus), with output power not less than 30W and output voltage not less than 50V.

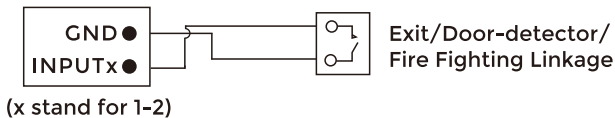


2. Power

Power interface of door station connects with 12V DC power.



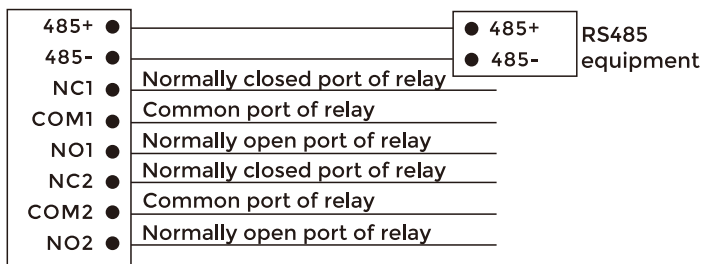
3. Exit/Door-detector/Fire Fighting Linkage



4. RS485/Switching Value Output

Enable to connect equipment with RS485 interface.

Connect to the lock module(independent power supply is necessary for the lock).



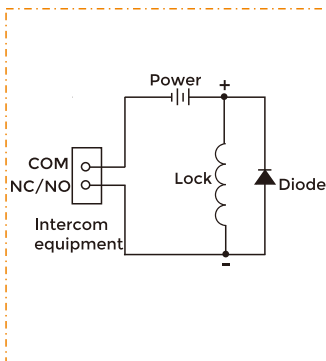
RS485/Switching Value Output

Warning

1. When connecting to an inductive load device such as a relay or electromagnetic lock, you are recommended to use a diode 1A/400V(included in the accessories) in anti-parallel with the load device to absorb inductive load voltage peaks. Intercom will be better protected in this way.

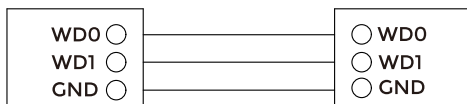
2. The load current of the relay cannot be greater than 2A.

See attached picture for more details.



5. Card Reader Interface

The interface can be connected to one IC/ID card reader or be used for reading the information of built-in card reader.



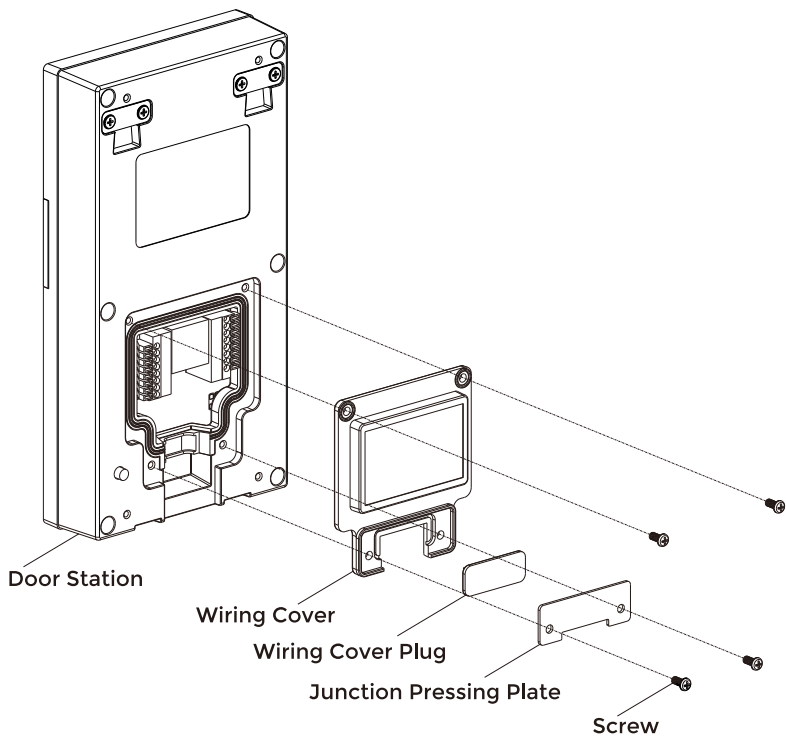
Card Reader Interface

IC/ID Card Reader or Management Device

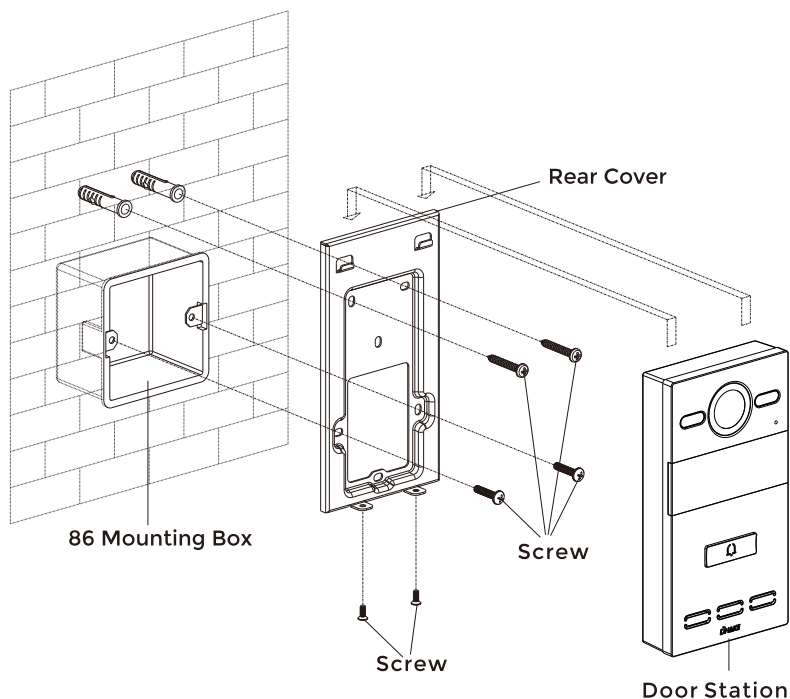
Note: Door station can only be connected to one card reader or management device at a time.

INSTALLATION

MODEL: S212/S213M/S213K(Installation of Wiring Cover)



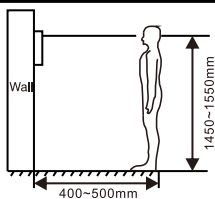
MODEL: S212(Surface Mounting-86 Mounting Box)



Product dimension: 88x168x32.5mm

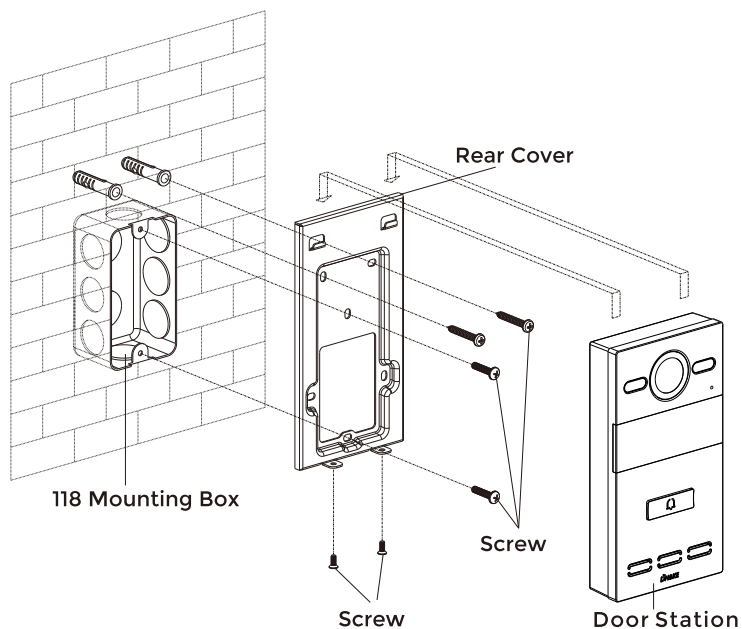
Surface mounting product dimension: 88x168x34mm

Installation Instructions:



[Suggestion]: The camera should be 1450~1550mm above the ground. The camera at this height can capture human face perfectly.

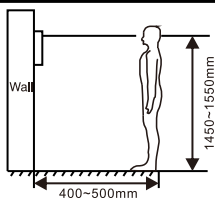
MODEL: S212(Surface Mounting-118 Mounting Box)



Product dimension: 88x168x32.5mm

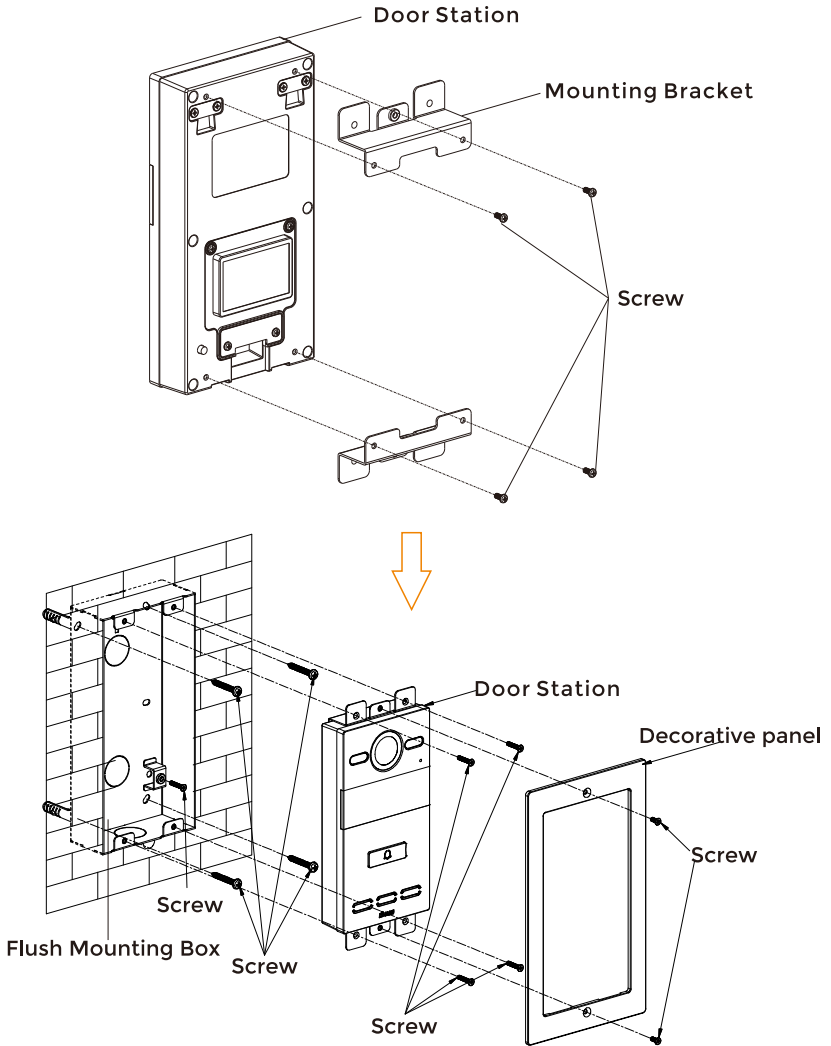
Surface mounting product dimension: 88x168x34mm

Installation Instructions:



[Suggestion]: The camera should be 1450~1550mm above the ground. The camera at this height can capture human face perfectly.

MODEL: S212(Flush Mounting)

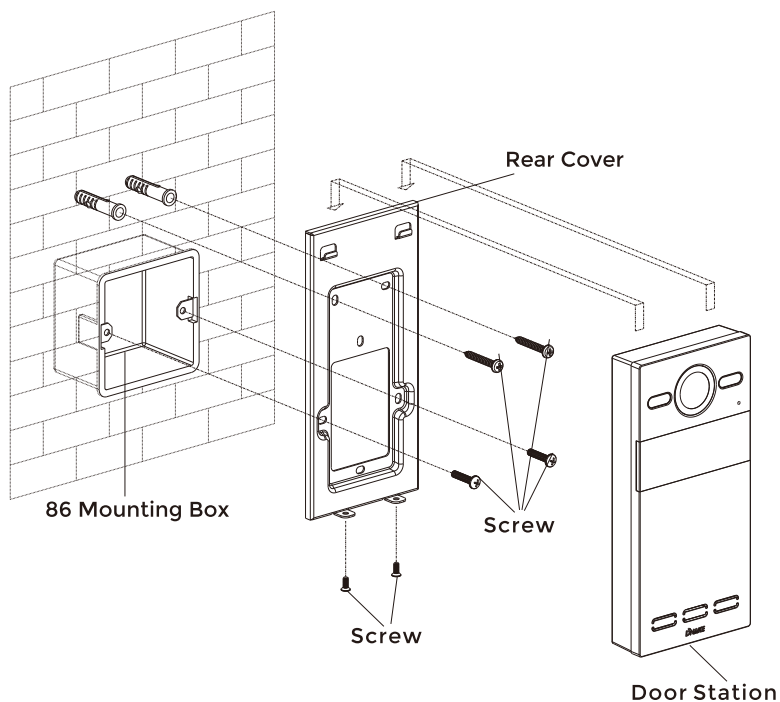


Product dimension: 88x168x32.5mm

Flush mounting product dimension: 120x210x48mm

Hole-cutting dimension: 98x199x42mm

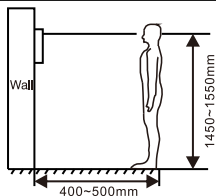
MODEL: S213M/S213K(Surface Mounting-86 Mounting Box)



Product dimension: 88x188x32.5mm

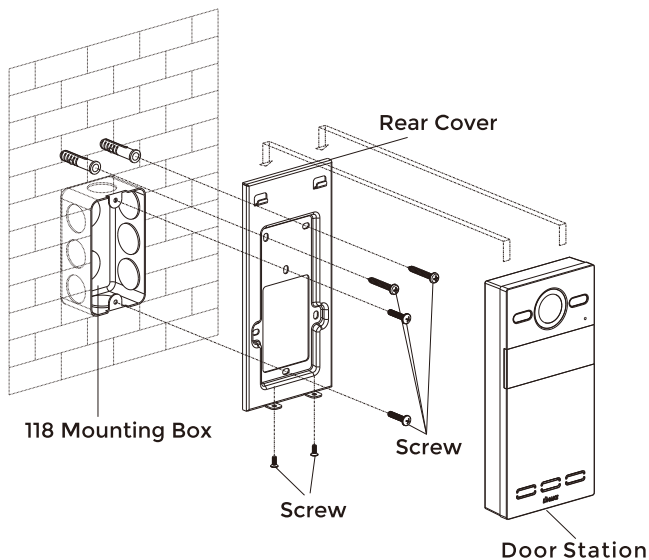
Surface mounting product dimension: 88x188x34mm

Installation Instructions:



[Suggestion]: The camera should be 1450~1550mm above the ground. The camera at this height can capture human face perfectly.

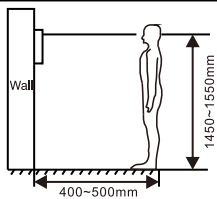
MODEL: S213M/S213K(Surface Mounting-118 Mounting Box)



Product dimension: 88x188x32.5mm

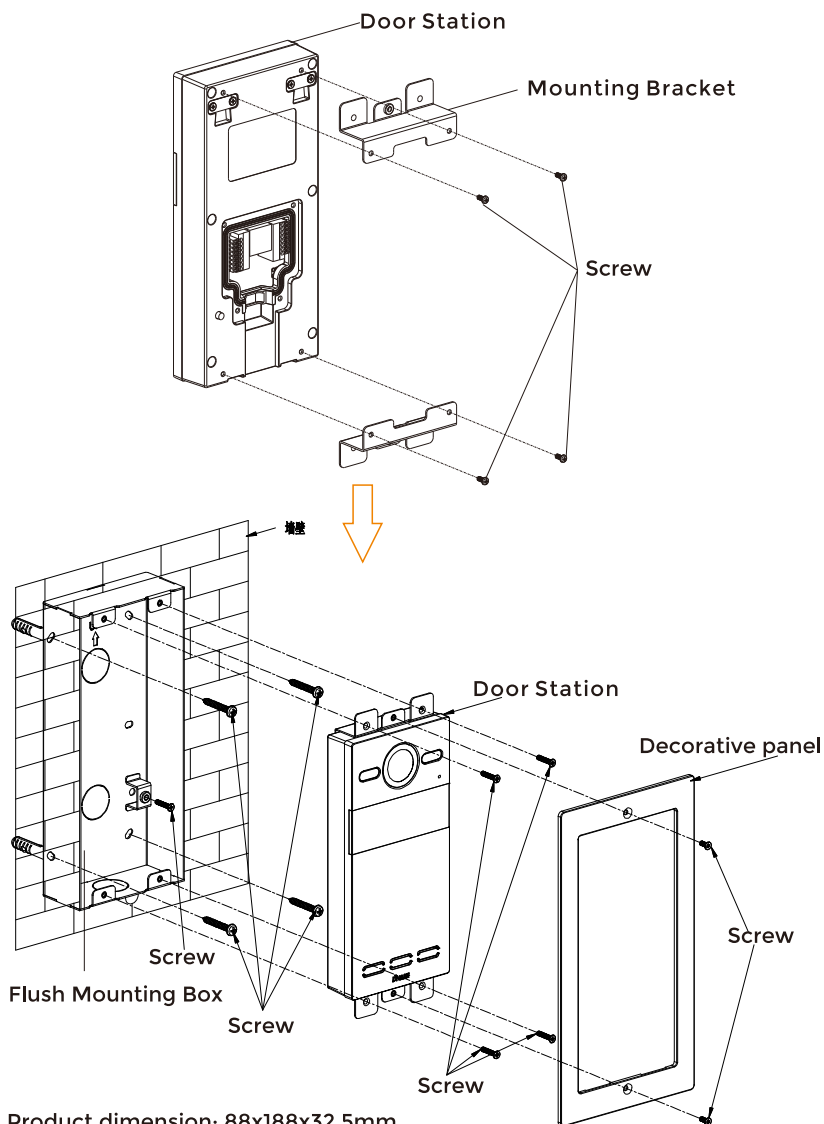
Surface mounting product dimension: 88x188x34mm

Installation Instructions:



[Suggestion]: The camera should be 1450~1550mm above the ground. The camera at this height can capture human face perfectly.

MODEL: S213M/S213K(Flush Mounting)

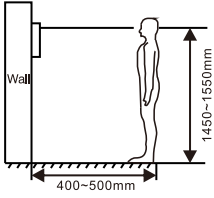


Product dimension: 88x188x32.5mm

Flush mounting product dimension: 120x230x48mm

Hole-cutting dimension: 98x219x42mm

Installation Instructions:



[Suggestion]: The camera should be 1450~1550mm above the ground. The camera at this height can capture human face perfectly.

SAFETY INSTRUCTIONS

In order to protect you and others from harm or your device from damage, please read the following information before using the device.

Do not install the device in the following places:

- Do not install the device in high-temperature and moist environment or the area close to magnetic field, such as the electric generator, transformer or magnet.
- Do not place the device near the heating products such as electric heater or the fluid container.
- Do not place the device in the sun or near the heat source, which might cause discoloration or deformation of the device.
- Do not install the device in an unstable position to avoid the property losses or personal injury caused by the falling of device.

Guard against electric shock, fire and explosion:

- Do not use damaged power cord, plug or loose outlet.
- Do not touch the power cord with wet hand or unplug the power cord by pulling.
- Do not bend or damage the power cord.
- Do not touch the device with wet hand.
- Do not make the power supply slip or cause the impact.
- Do not use the power supply without the manufacturer's approval.
- Do not have the liquids such as water go into the device.

Clean Device Surface

- Clean the device surfaces with soft cloth dipped in some water, and then rub the surface with dry cloth.

Other Tips

- In order to prevent damage to the paint layer or the case, please do not expose the device to chemical products, such as the diluent, gasoline, alcohol, insect-resist agents, opacifying agent and insecticide.
- Do not knock on the device with hard objects.
- Do not press the screen surface. Overexertion might cause flopper or damage to the device.
- Please be careful when standing up from the area under the device.
- Do not disassemble, repair or modify the device at your own discretion.
- The arbitrary modification is not covered under warranty. When any repair required, please contact the customer service center.
- If there is abnormal sound, smell or fume in the device, please unplug the power cord immediately and contact the customer service center.
- When the device isn't used for a long time, the adaptor and memory card can be removed and placed in dry environment.
- When moving, please hand over the manual to new tenant for proper usage of the device.



**EASY & SMART
INTERCOM SOLUTIONS**