

12MP IP PERFORMANCE AI+ TRUE COLOR MINI BULLET AUDIO POE CAMERA

Model #: IPC-EBFR12MP-AI-S



Features:

- 12MP 4096(H)×3072(V)
- Performance AI True Color Night
- H.265 H.264 Ready MJPEG
- 3D DNR, BLC, DWDR, ICR
- Built-in microphone
- Dual Video Streams
- IP66 Rating
- Metal housing & Bracket
- True Day/Night
- AI+ Include Face Recognition(FR) Human & Vehicle

Detection(PD&VD) Perimeter Intrusion Detection(PID) Line Crossing Detection(LCD) Cross Counting(CC) Stationary Object Detection(SOD) Heat Map(HM) Crowd Density Detection(CD) Queue Length Detection(QD) License Plate Detection(LPD) Rare Sound Detection(RSD)



We reserve the right to modify product design and specification without notice and without incurring any obligation

For more information please contact a DSS Sales Representative

Toll Free: 1.888.467.8812 · Fax: 1.609.431.0932 · Email: sales@dss-cctv.com
www.dssdepot.com

Technical Specifications

Model No.	IPC-EBFR12MP-AI-S
Camera	
Image sensor	1/2.2" Progressive CMOS
Min. illumination	0.01 lux @F1.2, AGC ON, 0 lux with IR
Shutter time	1/3s ~ 1/10,000s
Lens	3.6mm @F2.0 Angle of view: 90°
Lens mount	M12
Day & night	IR cut filter with auto switch
Digital noise reduction	3D DNR
Wide dynamic range	DWDR
Compression Standard	
Video compression	H.265/H.264 / MJPEG
H.264 codec profile	Main profile
Bit rate	32 Kbps ~ 16 Mbps
Dual streams	Support
Image	
Max. Image Resolution	12MP 4096(H)×3072(V)
Frame rate	12MP (4096x3072) @15fps,8MP(3840x2160)@25fps,5MP(2592x1944,3072x1728)@25fps, 4MP(2592x1520)@25fps,3MP(2304x1296)@25fps,1080P(1920x1080)@25fps
Image settings	Rotate Mode, Saturation, Brightness, Contrast Sharpness adjustable by client software or web browse
BLC	Yes, zone configurable
ROI Codec	Support
Network	
Network storage	NAS (Support NFS,SMB/CIFS), ANR
Alarm trigger	Motion detection, tampering alarm, network disconnect, IP address conflict, storage exception
Protocols	TCP/IP, UDP, ICMP, HTTP, HTTPS, FTP, DHCP, DNS, DDNS, RTP, RTSP, RTCP,PPPoE, NTP, UPnP, SMTP, SNMP, IGMP, 802.1X, QoS, IPv6
Interoperability	ONVIF (PROFILE S/G/T), PSIA, CGI, ISAPI
Security	User Authentication, watermark
Interface	
Communication interface	1 RJ45 10 M / 100 M Ethernet interface
Web Browser	IE 7, IE 8, IE 9
P2P Connection	Built in
Mobile App	RXCAMVIEW Android/iPhone
MIC	Built-in
SD Card	SD Card Slot, Up to 256GB
General	
Operating conditions	(-22°F ~ 140 °F) humidity 95% or less (non-condensing)
Power supply	12 VDC ± 10% , PoE (802.3af)
Power consumption	Max. 5W (Max 7W with IR cut filter on)
Weather proof rating	IP66
IR range	Up to 100 ft
Dimension	6" x 3" x 3"
Weight	1.1 lbs

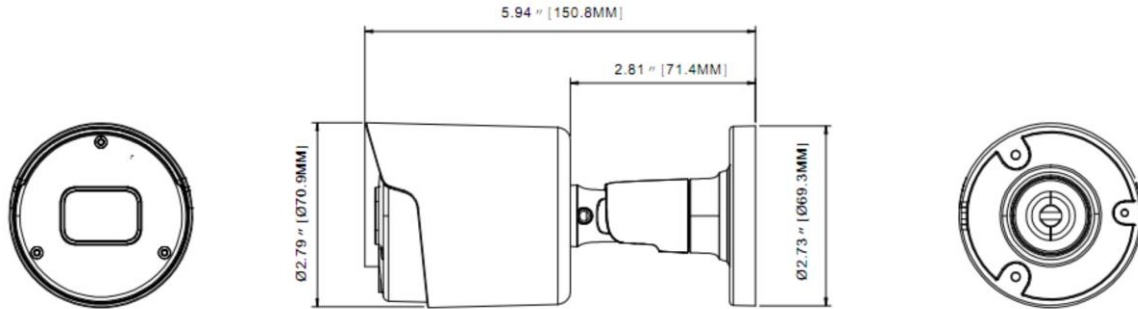
We reserve the right to modify product design and specification without notice and without incurring any obligation

For more information please contact a DSS Sales Representative

Toll Free: 1.888.467.8812 · Fax: 1.609.431.0932 · Email: sales@dss-cctv.com

www.dssdepot.com

Dimensions



We reserve the right to modify product design and specification without notice and without incurring any obligation

For more information please contact a DSS Sales Representative

Toll Free: 1.888.467.8812 · Fax: 1.609.431.0932 · Email: sales@dss-cctv.com

www.dssdepot.com