

# 4 MP Network IR Speed Dome

Model #: IPC-PTZ-E4XIR4MP-M



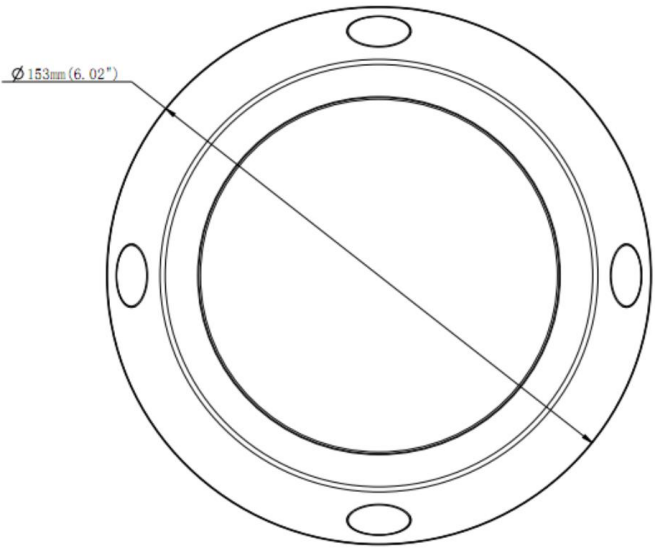
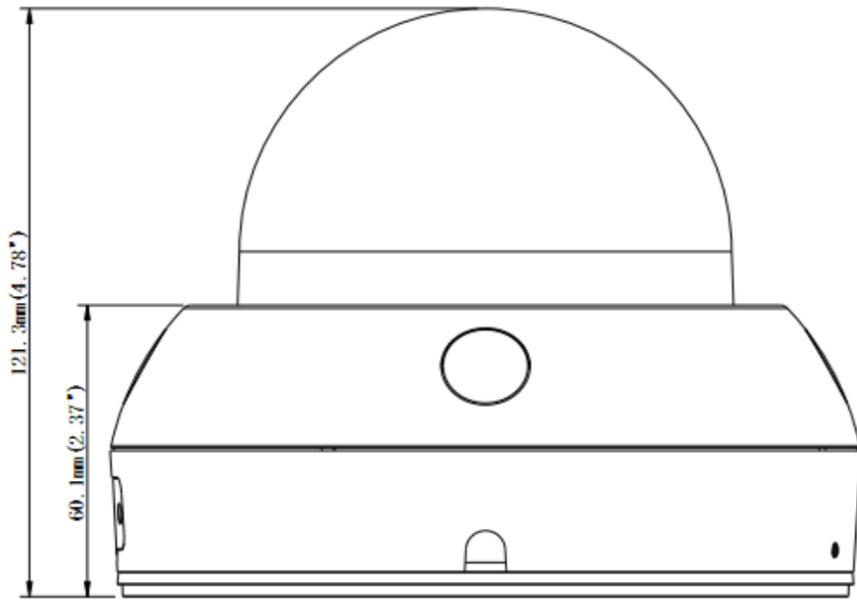
## Features

- 1/1.8" Progressive Scan CMOS
- 4x Optical Zoom, 2.8-12MM
- HD 4MP Resolution
- 3 Built in High IR LEDs, (100 Ft. Nig
- True Color, 3D DNR, WDR, Smart IR, SD Card up to 256gb
- True Day/Night
- Weather Proof, IP66 Rating
- True Day/Night
- 3D Intelligent Positioning
- Two Way Audio, Built-in Mic & Speaker
- 3 Years Warranty

Face Recognition, Human & Vehicle Detection, Perimeter Intrusion Detection, Line Crossing Detection, Stationary Object Detection, Crossing Counting, Heat Map, Crowd Density Detection, Queue Length Detection, License Plate Detection

## Technical Specifications

<b>Model No.</b>	IPC-PTZ-E4XIR4MP-M
<b>Camera</b>	
Image sensor	1/1.8" PROGRESSIVE CMOS
Image Resolution	2560 x 1440
Signal System	PAL/NTSC
Min Illumination	Color: 0.02 Lux @(F1.6, AGC ON) B/W: 0 Lux With IR ON
White Balance	Auto/Manual/ATW/Indoor/Outdoor
AGC	Auto/Manual
S/N Ratio	> 50 db
Function	3D DNR 120dB WDR BLC ICR
Shutter Speed	NTSC: 1-1/10,000s
Day & Night	IR Cut Filter
Optical Zoom	4x 2.8-12MM
Privacy Mask	8 Privacy Mask, Max 8 Zones can be masked simultaneously
Focus Model	Auto/Manual
<b>Lens</b>	
Focal Length	Horizontal field of view: 114.6° to 48.3° (wide-tele), Vertical field of view: 59° to 27.1° (wide-tele), Diagonal field of view:141.6° to 55.5° (wide-tele)
Zoom Speed	Approx. 3s
Min Working Distance	10mm(W)-1000mm(T)
Aperture	F1.6 -F4.4
<b>Pan and Tilt</b>	
Pan Range	355° Endless
Pan Speed	Pan Manual Speed: 0.6°~200°/s
Tilt Range	0°- 90° (Auto Flip)
Tilt Speed	3.5°~35°/s
Number of Preset Position	256
Patrol	1 Patrols, Up to 16 Presets per patrol
Pattern	1 Patterns, with total recording time no less than 10 mins
Power-off Memory	Support
Park Action	Preset/Patrol/Pattern/Pan Scan/Tilt Scan/Random Scan
PTZ Position Display	On/Off
<b>IR Night Vision</b>	
IR LEDs	3 IR LEDs
IR Distance	100 Ft
IR Intensity	Auto adjusted, Smart IR, Warm Light, True Color
<b>Network</b>	
Network storage	NAS (iSCSI optional)
Audio Compression	G.711ulaw / G.711alaw / G.726
Protocols	TCP/IP, HTTP, DHCP, DNS, DDNS, RTP, RTSP, PPPoE, SMTP, NTP,
Dual Streams	Supported
Security	User Authentication, Host Authentication
<b>Interface</b>	
Communication interface	1 RJ45 10 M / 100 M Ethernet interface
User/Host level	Up to 5 users , 3 Levels: Administrator, Camera control, Live view only
Web Browser	IE 7, IE 8, IE 9
Camera Control	Pan / Tilt, Zoom, Focus, Click centering, Drag zoom, Iris, Preset position call and
Protocols	Self-adaptive
<b>General</b>	
Operating conditions	(-22°F ~ 149 °F) humidity 90% or less (non-condensing)
Power supply	12 DC 2 AMP
Power consumption	Max. 30W (IR On), Max. 21W(IR Off)
Weather proof rating	IP66, TVS 3,000V lightning protection, surge and voltage protection
Mounting	Various mounting modes optional
Dimension	∅ 153 mm × 118.8 mm (∅ 6.02" × 4.68")
Weight	Approx. 0.95 kg (2.1lb.)



We reserve the right to modify product design and specification without notice and without incurring any obligation

**For more information please contact a DSS Sales Representative**

**Toll Free: 1.888.467.8812 · Fax: 1.609.431.0932 · Email: [sales@dss-cctv.com](mailto:sales@dss-cctv.com)**

**[www.dss-cctv.com](http://www.dss-cctv.com)**