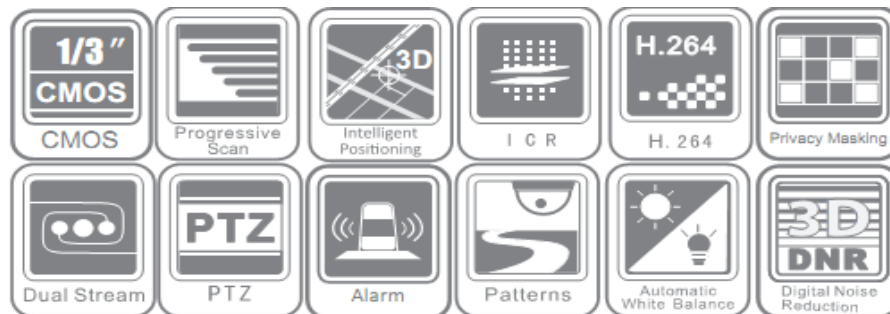


33X 5MP Network IR Speed Dome

Model #: IPC-PTZ-E33XIR5MP-C



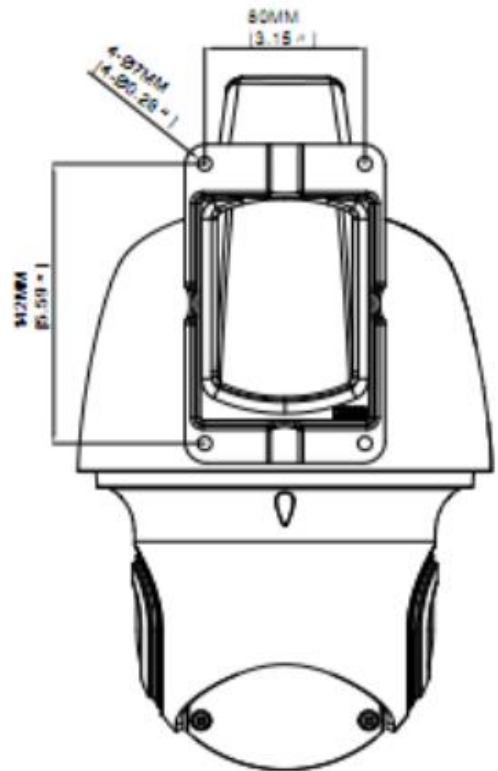
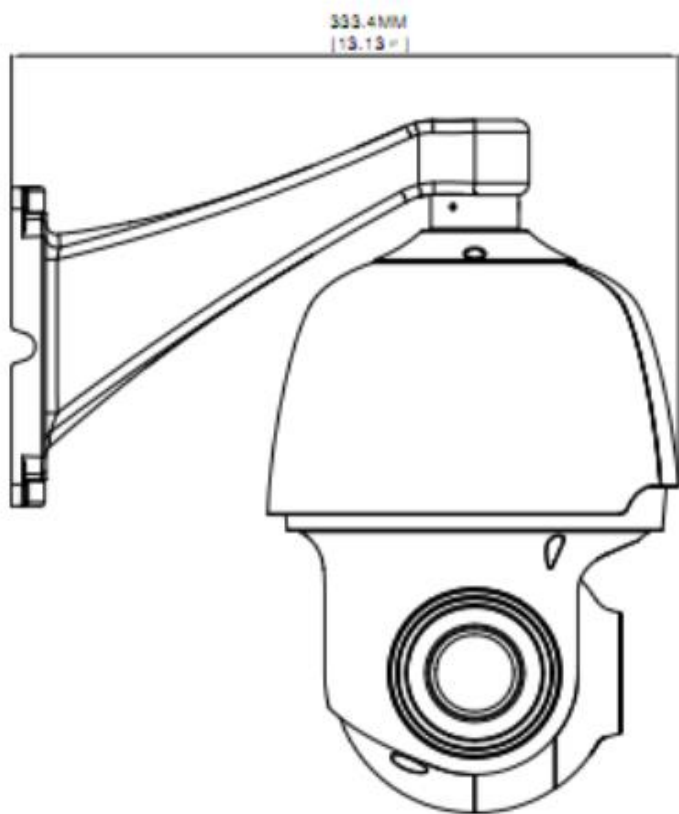
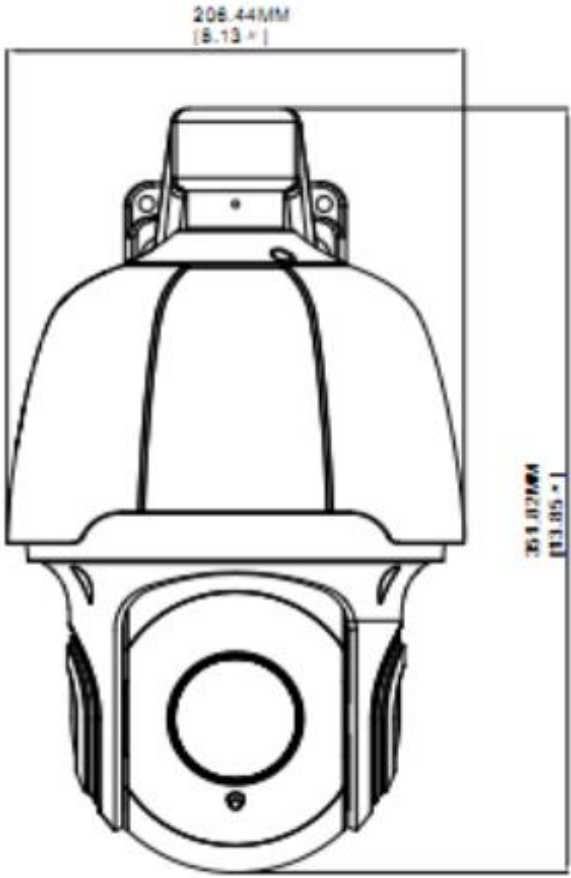
Features

- 1/2.7" Progressive Scan CMOS
- 33X Optical 4.3 ~ 142mm
- 3D intelligent positioning
- HD 5MP resolution at real time
- 3D, D WDR
- Up to 450 ft IR Range
- Full Metal Case Weather Proof: IP66 rating
- Smart AI(II) Auto Tracking

Face Recognition, Human & Vehicle Detection, Perimeter Intrusion Detection, Line Crossing Detection, Stationary Object Detection, Crossing Counting, Heat Map

Technical Specifications

Model No.	IPC-PTZ-E33XIR5MP-C
Camera	
Image sensor	1/2.7" progressive scan CMOS
Min. illumination	Color: 0.003 Lux @ (F1.6, AGC ON), B/W:0 Lux with IR
Shutter time	1/5 s to 1/20000 s
S/N ratio	> 50 db
AGC	Auto / Manual
Day & night	ICR
Image	BLC, HLC, 3D DNR
WDR	Supported 120dB
Lens	
Focal Length	4.3 ~ 142mm 33X
Movement Range(Pan)	360°
Movement Range(Tilt)	-10° to 90° (auto flip)
Pan Speed	Pan speed: configurable from 0.6° to 200°/s; preset speed: 200°/s
Tilt Speed	Tilt speed: configurable from 0.6° to 90°/s, preset speed 100°/s
FOV	Horizontal field of view: 55° to 2.3° (wide-tele),
	Vertical field of view: 41.6° to 1.7° (wide-tele),
	Diagonal field of view:67.9° to 2.8° (wide-tele)
Image	
Max. Image Resolution	5MP 2592(H)×1944(V)
Frame rate	60 Hz: 20fps(2592x1944), 30 fps (2592x1520/2048x1536/2304x1296/1920x1080/1280x960/1280x720);
Image Compression	H.265+/H.265/H.264
Video Bit Rate	8 kbps to 8192 kbps
Network	
Protocols	IPv4/IPv6, HTTP, HTTPS, FTP, SMTP, UPnP, SNMP, DNS, DDNS, NTP, RTSP, RTP, TCP/IP, UDP, DHCP, PPPoE,
API	Onvif (Profile S, Profile G, Profile T),Http API
User	5 Users
Dual Streams	Supported
Web Browser	IE11, Chrome 57+, Firefox 52+, Safari 11+
Interface	
Communication interface	1 RJ45 10 M / 100 M Ethernet interface
User/Host level	Up to 32 users, 3 Levels: Administrator, Camera control, Live view only
Web Browser	IE 7, IE 8, IE 9, Chrome 8 +, Firefox 3.5 +, Safari 5 +
Camera Control	Pan / Tilt, Zoom, Focus, Click centering, Drag zoom, Iris, Preset position call and program, Auto mode.
Protocols	Self-adaptive
General	
Operating conditions	(-22°F ~ 149 °F) humidity 90% or less (non-condensing)
On-Board Storage	Built-in memory card slot, support microSD/SDHC/SDXC card, up to 256 GB
Power supply	DC 12V/POE+, max. 25.6 W
Alarm Audio	1 input 1 output
Weather proof rating	IP66, TVS 3,000V lightning protection, surge and voltage protection
Mounting	Various mounting modes optional
Dimension	∅ 206.4 mm × 351.8 mm (∅ 8.13" × 13.85")
Weight	8.15lbs



We reserve the right to modify product design and specification without notice and without incurring any obligation.

For more information please contact a DSS Sales Representative
Toll Free: 1.888.467.8812 · Fax: 1.609.431.0932 · Email: sales@dss-cctv.com
www.dssdepot.com