

# 8MP IP AI(II) TRUE COLOR IR MOTORIZED VF DOME POE CAMERA

Model #: IPC-EDVR8MPZ-AI(II)



## Features:

- 8MP 3840(H)×2160(V)
- Second Gen AI True Color Night
- H.265+ H.264+ Ready, H.264. MJEP
- 3D DNR, BLC, WDR, ICR, SD Card
- IR Range: Up to 140 ft
- Dual Video Streams
- IP66 Rating
- Metal housing & Bracket
- True Day/Night
- AI+ Include Facial Detection, Human and vehicle Detection, Intrusion Detection, Line Crossing Detection, Stationary Object Detection, Pedestrian Detection, Crossing Count



We reserve the right to modify product design and specification without notice and without incurring any obligation

For more information please contact a DSS Sales Representative

Toll Free: 1.888.467.8812 · Fax: 1.609.431.0932 · Email: [sales@dss-cctv.com](mailto:sales@dss-cctv.com)

[www.dssdepot.com](http://www.dssdepot.com)

# Technical Specifications

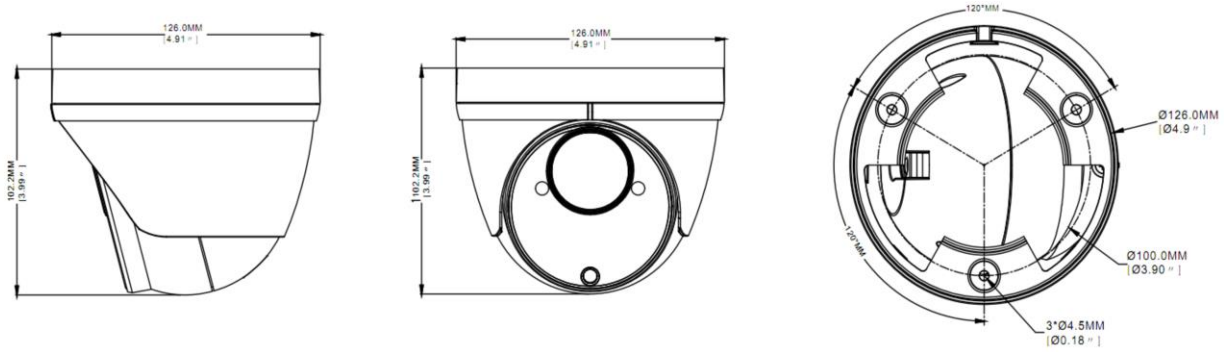
|                             |   |
|-----------------------------|---|
| <b>Model No.</b>            | IPC-EDVR8MPZ-AI(II)   |
| <b>Camera</b>               |   |
| Image sensor                | 1/2.5" Progressive CMOS   |
| Min. illumination           | 0.01 lux @F1.2, AGC ON, 0 lux with IR   |
| Shutter time                | 1/3s ~ 1/10,000s  |
| Lens                        | Motorized 2.8-12mm @F2.0 Angle of view: 114° - 33°  |
| Lens mount                  | M12   |
| Day & night                 | IR cut filter with auto switch  |
| Digital noise reduction     | 3D DNR  |
| Wide dynamic range          | True WDR  |
| <b>Compression Standard</b> |   |
| Video compression           | H.264 / MJPEG / H.264+/H.265+   |
| H.264 codec profile         | Main profile  |
| Bit rate                    | 32 Kbps ~ 16 Mbps   |
| Dual streams                | Support   |
| <b>Image</b>                |   |
| Max. Image Resolution       | 8MP 3840(H)×2160(V)   |
| Frame rate                  | 60Hz:(1~15fps@4K, default 15fps@4K 8MP (3840x2160),5MP(3072*1728)(2592*1944),4MP(2592x1520),3MP(2304x1296), 1080P(1920x1080), 720P(1280x720), |
| Image settings              | Rotate Mode, Saturation, Brightness, Contrast Sharpness adjustable by client software or web browse   |
| BLC                         | Yes, zone configurable  |
| ROI Codec                   | Support   |
| <b>Network</b>              |   |
| Network storage             | NAS (Support NFS,SMB/CIFS), ANR   |
| Alarm trigger               | Motion detection, tampering alarm, network disconnect, IP address conflict, storage exception   |
| Protocols                   | TCP/IP, UDP, ICMP, HTTP, HTTPS, FTP, DHCP, DNS, DDNS, RTP, RTSP, RTCP,PPPoE, NTP, UPnP, SMTP, SNMP, IGMP, 802.1X, QoS, IPv6                   |
| Interoperability            | ONVIF (PROFILE S, PROFILE G), PSIA, CGI, ISAPI  |
| Security                    | User Authentication, watermark  |
| <b>Interface</b>            |   |
| Communication interface     | 1 RJ45 10 M / 100 M Ethernet interface  |
| Web Browser                 | IE 7, IE 8, IE 9  |
| P2P Connection              | Built in  |
| Mobile App                  | RXCAMVIEW Android/iPhone  |
| <b>General</b>              |   |
| Operating conditions        | (-22°F ~ 140 °F) humidity 95% or less (non-condensing)  |
| Power supply                | 12 VDC ± 10% , PoE (802.3af)  |
| Power consumption           | Max. 5W (Max 9W with IR cut filter on)  |
| Weather proof rating        | IP66  |
| SD Card                     | Up to 256GB   |
| IR range                    | Up to 140 ft  |
| Dimension                   | 4.9" x 4" x 4.9"  |
| Weight                      | 1.9 lbs   |

We reserve the right to modify product design and specification without notice and without incurring any obligation

For more information please contact a DSS Sales Representative

Toll Free: 1.888.467.8812 · Fax: 1.609.431.0932 · Email: [sales@dss-cctv.com](mailto:sales@dss-cctv.com)  
[www.dssdepot.com](http://www.dssdepot.com)

# Dimensions



We reserve the right to modify product design and specification without notice and without incurring any obligation

**For more information please contact a DSS Sales Representative**

**Toll Free: 1.888.467.8812 · Fax: 1.609.431.0932 · Email: [sales@dss-cctv.com](mailto:sales@dss-cctv.com)**

**[www.dssdepot.com](http://www.dssdepot.com)**