

# 5MP IP IR TURRET DOME POE CAMERA

Model #: IPC-EDFR5MP-TD-S-B



## Features:

- 5MP 2592(H)×1944(V)
- HD Video Output
- H.265+ H.264+ Ready, H.264. MJPEG
- Built in Mic, 3D DNR, BLC, WDR, ICR
- IR Range: Up to 100 ft
- Dual Video Streams
- IP66 Rating
- Metal housing & Bracket
- True Day/Night



We reserve the right to modify product design and specification without notice and without incurring any obligation

For more information please contact a DSS Sales Representative

Toll Free: 1.888.467.8812 · Fax: 1.609.431.0932 · Email: [sales@dss-cctv.com](mailto:sales@dss-cctv.com)

[www.dssdepot.com](http://www.dssdepot.com)

# Technical Specifications

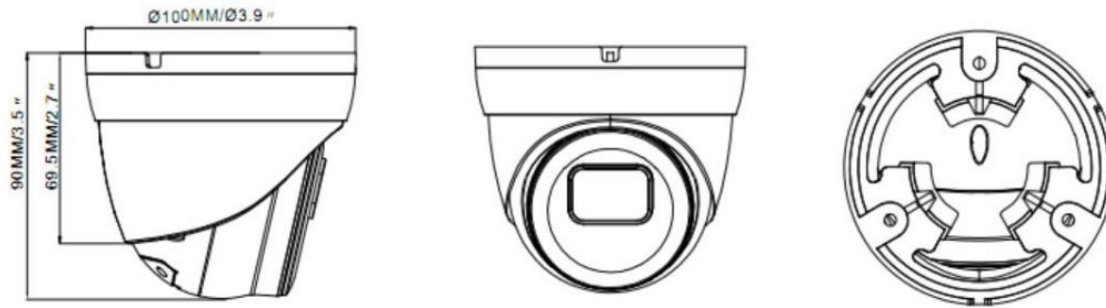
<b>Model No.</b>	IPC-EDFR5MP-TD-S-B
<b>Camera</b>	
Image sensor	1/2.7" Progressive CMOS
Min. illumination	0.01 lux @F1.2, AGC ON, 0 lux with IR
Shutter time	1/3s ~ 1/10,000s
Lens	2.8mm @F2.0 Angle of view: 109°
Lens mount	M12
Day & night	IR cut filter with auto switch
Digital noise reduction	3D DNR
Wide dynamic range	DWDR
Mic	Built-in
<b>Compression Standard</b>	
Video compression	H.264 / MJPEG / H.264+/H.265+
H.264 codec profile	Main profile
Bit rate	32 Kbps ~ 16 Mbps
Dual streams	Support
<b>Image</b>	
Max. Image Resolution	5MP 2592(H)×1944(V)
Frame rate	60Hz: (1~15fps)5MP(2592×1944),4MP(2592x1520) 3MP(2048x1520),1080P(1920x1080) 960P(1280x960), 720P(1280x720)
Image settings	Rotate Mode, Saturation, Brightness, Contrast Sharpness adjustable by client software or web browse
BLC	Yes, zone configurable
ROI Codec	Support
<b>Network</b>	
Network storage	NAS (Support NFS,SMB/CIFS), ANR
Alarm trigger	Motion detection, tampering alarm, network disconnect, IP address conflict, storage exception
Protocols	TCP/IP, UDP, ICMP, HTTP, HTTPS, FTP, DHCP, DNS, DDNS, RTP, RTSP, RTCP,PPPoE, NTP, UPnP, SMTP, SNMP, IGMP, 802.1X, QoS, IPv6
Interoperability	ONVIF (PROFILE S, PROFILE G), PSIA, CGI, ISAPI
Security	User Authentication, watermark
<b>Interface</b>	
Communication interface	1 RJ45 10 M / 100 M Ethernet interface
Web Browser	IE 7, IE 8, IE 9
P2P Connection	Built in
Mobile App	RXCAMVIEW Android/iPhone
<b>General</b>	
Operating conditions	(-22°F ~ 140 °F) humidity 95% or less (non-condensing)
Power supply	12 VDC ± 10% , PoE (802.3af)
Power consumption	Max. 5W (Max 7W with IR cut filter on)
Weather proof rating	IP66
IR range	IR Up to 100 ft
Dimension	4.33" x 3.88" x 4.33"
Weight	1.1 lbs

We reserve the right to modify product design and specification without notice and without incurring any obligation

For more information please contact a DSS Sales Representative

Toll Free: 1.888.467.8812 · Fax: 1.609.431.0932 · Email: [sales@dss-cctv.com](mailto:sales@dss-cctv.com)  
[www.dssdepot.com](http://www.dssdepot.com)

# Dimensions



We reserve the right to modify product design and specification without notice and without incurring any obligation

**For more information please contact a DSS Sales Representative**

**Toll Free: 1.888.467.8812 · Fax: 1.609.431.0932 · Email: [sales@dss-cctv.com](mailto:sales@dss-cctv.com)**  
**[www.dssdepot.com](http://www.dssdepot.com)**