

8MP IP AI(II) TRUE COLOR WHITELIGHT TWO WAY AUDIO EXIR BULLET POE CAMERA

Model #: IPC-EBFR8MPWL-AI(II)-M



Features:

- 8MP 3840(H)×2160(V)
- Second Gen AI True Color Night
- H.265+ H.264+ Ready, H.264. MJPEG
- Two Way Audio, 3D DNR, BLC, WDR, ICR
- EXIR Range: Up to 120 ft
- White Light on/off PIR Sense Motion
- IP66 Rating, SD Card
- Metal housing & Bracket
- True Day/Night
- AI+ Include Facial Detection, Human and Vehicle Detection, Intrusion Detection, Line Crossing Detection, Stationary Object Detection, Pedestrian Detection, Crossing Count

We reserve the right to modify product design and specification without notice and without incurring any obligation

For more information please contact a DSS Sales Representative

Toll Free: 1.888.467.8812 · Fax: 1.609.431.0932 · Email: sales@dss-cctv.com
www.dssdepot.com

Technical Specifications

Model No.	IPC-EBFR8MPWL-AI(II)-M
Camera	
Image sensor	1/2.5" Progressive CMOS
Min. illumination	0.01 lux @F1.2, AGC ON, 0 lux with IR
Shutter time	1/3s ~ 1/10,000s
Lens	2.8mm @F2.0 Angle of view: 109°
Lens mount	M12
Day & night	IR cut filter with auto switch
Digital noise reduction	3D DNR
Wide dynamic range	True WDR
Two Way Audio	Built in
Compression Standard	
Video compression	H.264 / MJPEG / H.264+/H.265+
H.264 codec profile	Main profile
Bit rate	32 Kbps ~ 16 Mbps
Dual streams	Support
Image	
Max. Image Resolution	8MP 3840(H)×2160(V)
Frame rate	60Hz: (1~30fps)5MP(2592×1944),4MP(2592x1520) 3MP(2048x1520),1080P(1920x1080) 960P(1280x960), 720P(1280x720)
Image settings	Rotate Mode, Saturation, Brightness, Contrast Sharpness adjustable by client software or web browse
BLC	Yes, zone configurable
ROI Codec	Support
Network	
Network storage	NAS (Support NFS,SMB/CIFS), ANR
Alarm trigger	Motion detection, tampering alarm, network disconnect, IP address conflict, storage exception
Protocols	TCP/IP, UDP, ICMP, HTTP, HTTPS, FTP, DHCP, DNS, DDNS, RTP, RTSP, RTCP,PPPoE, NTP, UPnP, SMTP, SNMP, IGMP, 802.1X, QoS, IPv6
Interoperability	ONVIF (PROFILE S, PROFILE G), PSIA, CGI, ISAPI
Security	User Authentication, watermark
Interface	
Communication interface	1 RJ45 10 M / 100 M Ethernet interface
Web Browser	IE 7, IE 8, IE 9
P2P Connection	Built in
Mobile App	RXCAMVIEW Android/iPhone
General	
Operating conditions	(-22°F ~ 140 °F) humidity 95% or less (non-condensing)
Power supply	12 VDC ± 10% , PoE (802.3af)
Power consumption	Max. 5W (Max 7W with IR cut filter on)
Weather proof rating	IP66
SD Card	Up to 256GB
IR range	Up to 120 ft
White Light	ON/OFF When PIR sense Motion
Dimension	2.8" x 2.78" x 5.52"
Weight	1.1 lbs

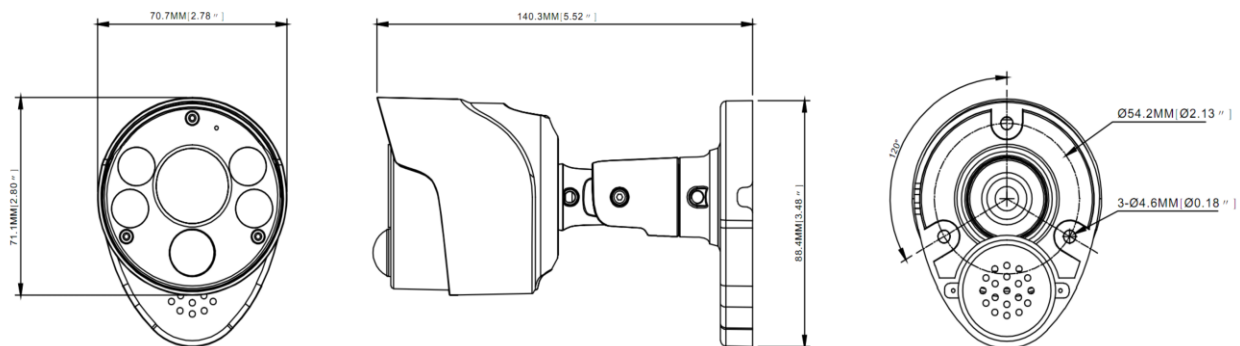
We reserve the right to modify product design and specification without notice and without incurring any obligation

For more information please contact a DSS Sales Representative

Toll Free: 1.888.467.8812 · Fax: 1.609.431.0932 · Email: sales@dss-cctv.com

www.dssdepot.com

Dimensions



We reserve the right to modify product design and specification without notice and without incurring any obligation

For more information please contact a DSS Sales Representative

Toll Free: 1.888.467.8812 · Fax: 1.609.431.0932 · Email: sales@dss-cctv.com

www.dssdepot.com