

Model #: DFRT-4KW28



## Features:

- 8 MP CMOS image sensor
- High Performance 8MP Resolution
- Compatible with 8MP TVI and Analog
- UTC, OSD, DWDR, 3D DNR, Smart
- Wide Angle 2.8mm Fixed Lens
- 20 Built in IR LEDs, (75 Ft. Night Vision)
- Vandal Resistant IP66 Weatherproof
- True Day/Night
- 3 Years Warranty

We reserve the right to modify product design and specification without notice and without incurring any obligation

For more information please contact a DSS Sales Representative

Toll Free: 1.888.467.8812 · Fax: 1.609.431.0932 · Email: [sales@dss-cctv.com](mailto:sales@dss-cctv.com)

[www.dss-cctv.com](http://www.dss-cctv.com)

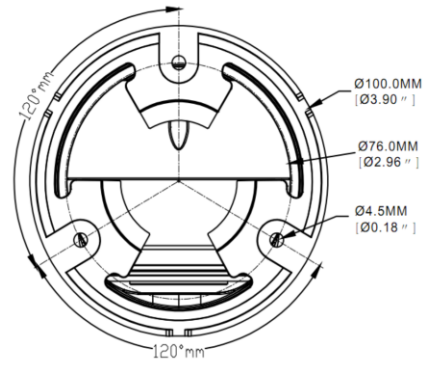
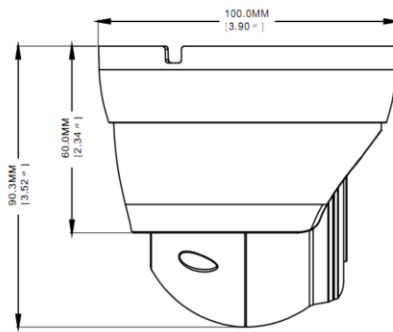
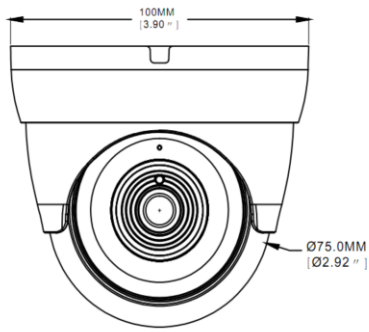
# Technical Specifications

<b>Model No.</b>	DFRT-4KW28
<b>Camera</b>	
Image sensor	1/2.7" Progressive Scan CMOS
Min. illumination	0.01 Lux @ (F1.2,AGC ON),0 Lux with IR /0.014 Lux @ (F1.4,AGC ON),0 Lux with IR
Shutter time	1 / 25 s to 1 / 50,000 s
Lens	2.8mm Angle of View: 90.9°
Lens mount	M12
Day & night	ICR
Digital noise reduction	3D DNR
Wide dynamic range	DWDR
Synchronization	Internal synchronization
HD Video Output	1 Analog HD output Yellow
Video	Compatible with 8MP TVI and Analog
S/N Ratio	More than 52dB
<b>Image</b>	
Max. Image Resolution	3840 (H) × 2160 (V)
Signal System	NTSC
Frame rate	<a href="#">8MP@12fps</a>
Image settings	Saturation, brightness, contrast, sharpness adjustable through client software or web browser
BLC	Supported
<b>General</b>	
Operating conditions	(-22°F ~ 140 °F) humidity 90% or less (non-condensing)
Power supply	12 VDC
Power consumption	Max. 4W
Weather proof rating	IP66
IR range	Up to 75ft
Dimension	90×100 mm
Weight	360 g (0.79 lb)

We reserve the right to modify product design and specification without notice and without incurring any obligation

**For more information please contact a DSS Sales Representative**

**Toll Free: 1.888.467.8812 · Fax: 1.609.431.0932 · Email: [sales@dss-cctv.com](mailto:sales@dss-cctv.com)**  
**[www.dss-cctv.com](http://www.dss-cctv.com)**



We reserve the right to modify product design and specification without notice and without incurring any obligation

**For more information please contact a DSS Sales Representative**

**Toll Free: 1.888.467.8812 · Fax: 1.609.431.0932 · Email: [sales@dss-cctv.com](mailto:sales@dss-cctv.com)**  
**[www.dss-cctv.com](http://www.dss-cctv.com)**