

HD 5MP TVI DAY/NIGHT WEATHERPROOF IR
MOTORIZED LENS VARI-FOCAL LENS LONG
RANGE BULLET CAMERA

HD TVI

Model #: DSS-BVLT-5MP-Z



Features:

- 1/2.7" Progressive CMOS
- HD 5MP Video Output
- Adopt HDTV Technology
- UTC, OSD, 3D DNR, Smart IR, DWI
- Motorized 5-50mm Vari-Focal Lens
- 150 Ft. Night Vision
- Vandal Resistant IP66 Weatherproof
- True Day/Night
- 3 Years Warranty

We reserve the right to modify product design and specification without notice and without incurring any obligation

For more information please contact a DSS Sales Representative

Toll Free: 1.888.467.8812 · Fax: 1.609.431.0932 · Email: sales@dss-cctv.com

www.dssdepot.com

Technical Specifications

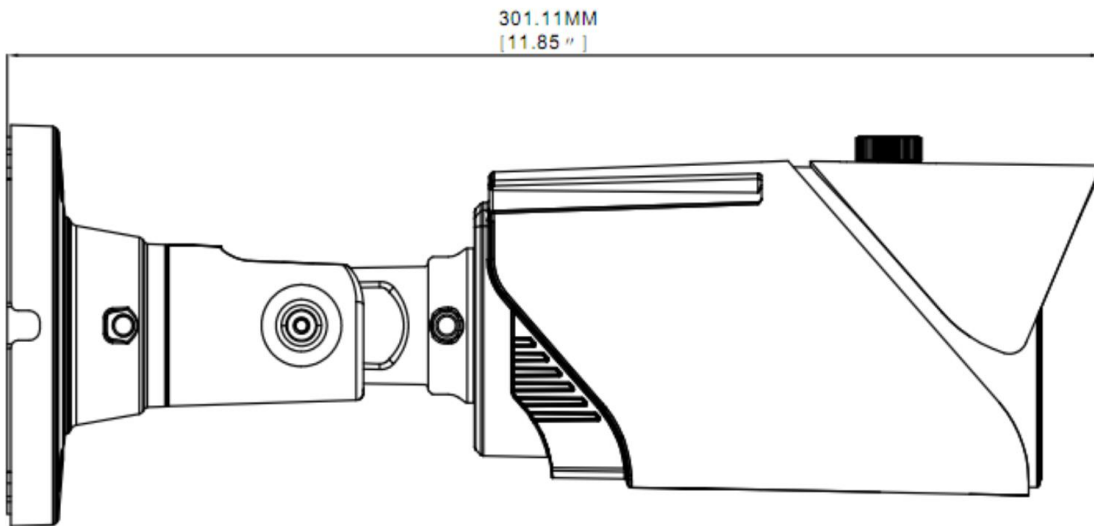
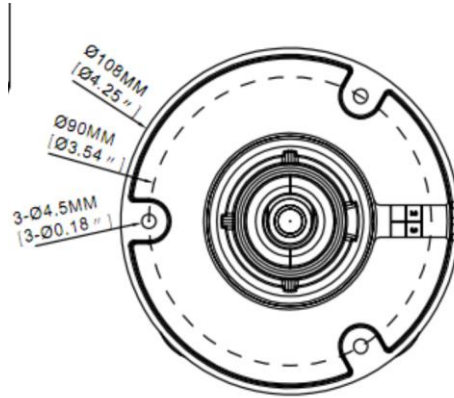
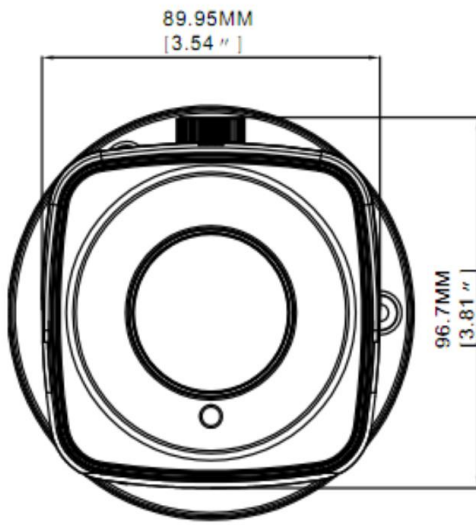
| | |
|-------------------------|---|
| Model No. | DSS-BVLT-5MP-Z |
| Camera | |
| Image sensor | 1/2.7" Progressive CMOS |
| Min. illumination | 0.01 Lux @ (F1.2,AGC ON),0 Lux with IR /0.014 Lux @ (F1.4,AGC ON),0 Lux with IR |
| Shutter time | 1 / 25 s to 1 / 50,000 s |
| Lens | Motorized Lens 5-50mm Angle of View: 59.9° - 4.1 ° |
| Lens mount | M14 |
| Day & night | ICR |
| Digital noise reduction | 3D DNR |
| Wide dynamic range | DWDR |
| Synchronization | Internal synchronization |
| HD Video Output | 1 Analog HD ouput Yellow |
| Video Format | TVI AHD CVI Analog |
| S/N Ratio | More than 52dB |
| Image | |
| Max. Image Resolution | 2592(H)*1944(V) |
| Signal System | NTSC |
| Frame rate | 5MP@20fps 4MP@30fps |
| Image settings | Saturation, brightness, contrast, sharpness adjustable through client software or web browser |
| BLC | Supported |
| OSD Menu | |
| Scene | Indoor, Outdoor, Low Light |
| Camera ID | On/off |
| AGC | Support |
| D/N Mode | Color/BW |
| White Balance | ATW, AWC-SET, Indoor, Outdoor, Manual |
| Privacy Mask | On/Off, Maximum 8 Zones |
| Motion Detection | On/Off, maximum 4 zones |
| BLC | Support |
| Anti-Flicker | On/Off |
| Function | Eclipse, Digital noise reduction, Digital zoom(62x), Slow shutter, Mirror, Defog, Defect pixel correction, SMART D-ZOOM |
| Language | English, Japanese, CHN1, CHN2, Korean, German, French, Italian, Spanish, Polish, Russian, Portuguese, Dutch, Turkish, Hebrew and Arabic |
| General | |
| Operating conditions | (-22°F ~ 140 °F) humidity 90% or less (non-condensing) |
| Power supply | 12 VDC |
| Power consumption | Max. 4W |
| Weather proof rating | IP66 |
| IR range | Up to 150ft |
| Dimension | 11.85"×3.81"×3.54" |
| Weight | 700 g (3 lb) |

We reserve the right to modify product design and specification without notice and without incurring any obligation

For more information please contact a DSS Sales Representative

Toll Free: 1.888.467.8812 · Fax: 1.609.431.0932 · Email: sales@dss-cctv.com

www.dssdepot.com



We reserve the right to modify product design and specification without notice and without incurring any obligation

For more information please contact a DSS Sales Representative

Toll Free: 1.888.467.8812 · Fax: 1.609.431.0932 · Email: sales@dss-cctv.com

www.dssdepot.com