

Quick Installation Guide

Contents

1. INTRODUCTION	2
2. SAFETY INSTRUCTIONS	2
3. INSTALLATION	4
3.1 INSTALLATION OF BULLET CAMERAS	4
3.2 INSTALLATION OF MINI DOME CAMERAS	7
3.3 INSTALLATION OF VANDAL-PROOF DOME CAMERAS	13
3.4 INSTALLATION OF INDOOR DOME CAMERAS	21
4. CONNECTING CABLES	ERROR! BOOKMARK NOT DEFINED.
5. LOGIN SYSTEM	28

1. Introduction

Thanks for purchasing our product. For any question or need, welcome contact us at any time. We will make every effort to ensure correctness of the information contained in this manual, which may be subject to change from time to time without prior notice.

2. Safety Instructions

- 1) Please comply with the power supply specifications as required for this equipment and select the correct power supply.
- 2) In case that the equipment fails to operate properly, immediately contact the manufacturer or the nearest service center, instead of disassembling or changing it in any way on your own.
- 3) For cleaning of the lens, be sure to use an air blower or dedicated lens cleaner. For cleaning of the plastic shield, use a soft and dry cloth to wipe it. Do not use any detergent containing alcohol or benzene.
- 4) Do not drop any object onto the device or Knock heavy on the equipment.
- 5) Do not put the camera toward any strong light source (or lighting lamp or sun), which may cause over-exposure or light leakage (not due to defect of the product) and impair useful life of the camera.

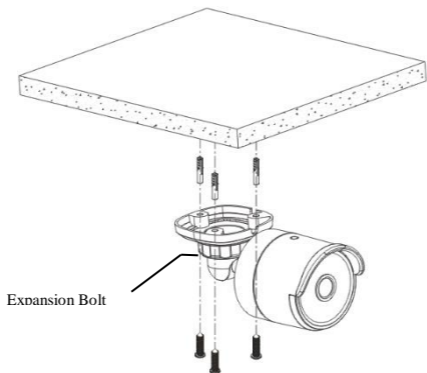
- 6) Avoid use of the equipment in any environment other than suggest in this manual.
- 7) Prevent water or any other liquid from flowing into the equipment.
- 8) For replacement of any part, contact the distributor in advance and make replacement with a new one , or similar components which have the same specification. Change any part in the device without authorization is not permit.

Operating Environment	
Power Supply	DC12V \pm 10%
Temperature	-30 $^{\circ}$ C~60 $^{\circ}$ C
Humidity	10%~95%
Altitude	-60m~3000m
Atmosphere	86kpa~106kpa

3. Installation

3.1 Installation of Bullet Cameras

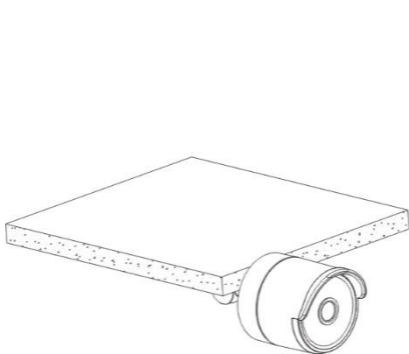
a. Ceiling Mounting



4

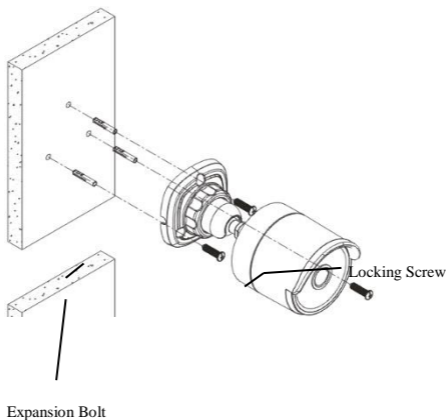
Locking Screw

Insert three expansion bolts in place into the ceiling and fix the equipment with three locking screws.

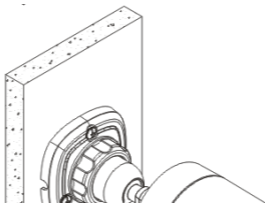


Completion of Installation

b. Wall Mounting



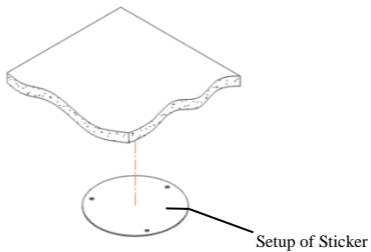
Insert three expansion bolts in place into the wall and fix the equipment with three locking screws.



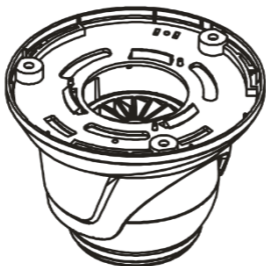
Completion of Installation

3.2 Installation of Mini Dome Cameras

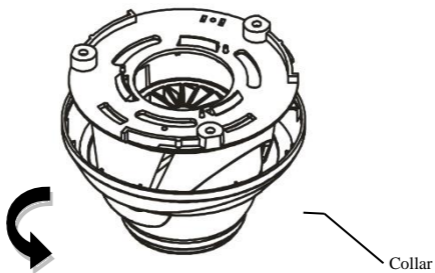
Ceiling Mounting



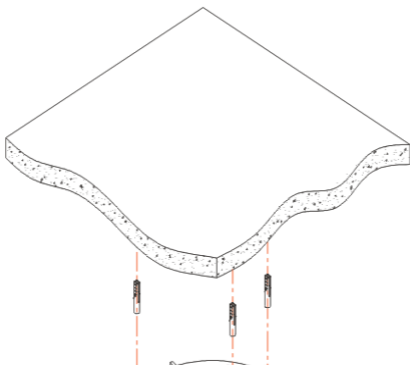
Paste the sticker in place at the proper position as selected.



Mini Dome Camera

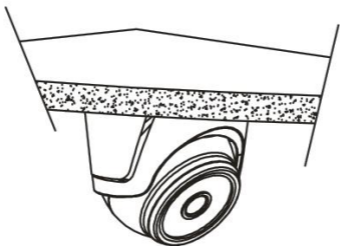


Remove the collar off the camera by rotating it down





Fix the pedestal by drilling locking holes around the sticker and inserting three expansion bolts into the holes and fastening it with three locking screws.

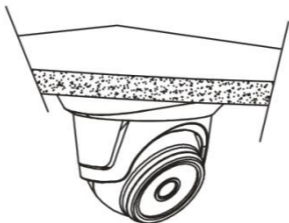


Adjust it to an appropriate angle.





Mount the collar back by rotating it up



Completion of Installation

3.3 Installation of Vandal-Proof Dome Cameras

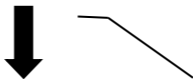
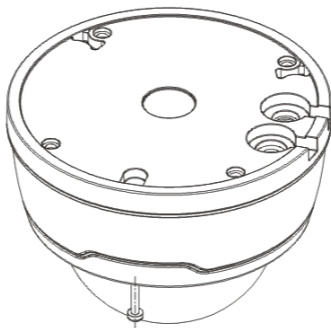
Ceiling Mounting





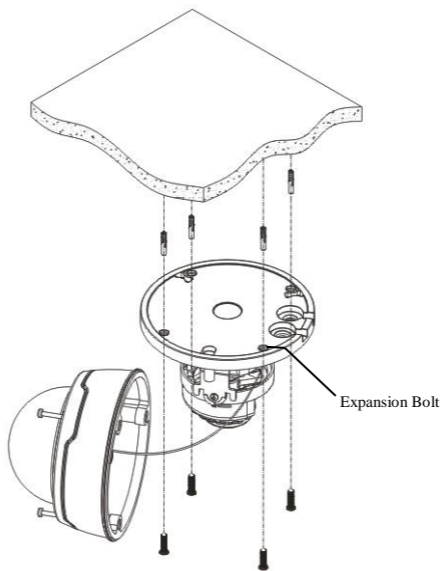
Setup of Sticker

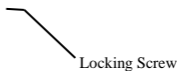
Paste the sticker in place at the proper position as selected.



Locking Screw

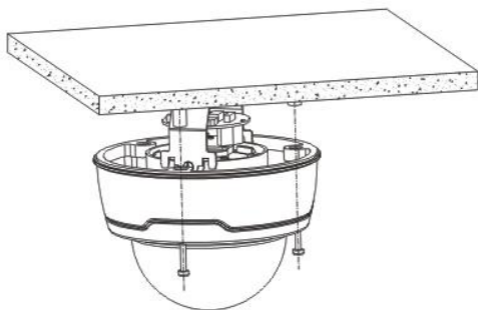
Remove the front component by loosening the three locking screws with a screwdriver.





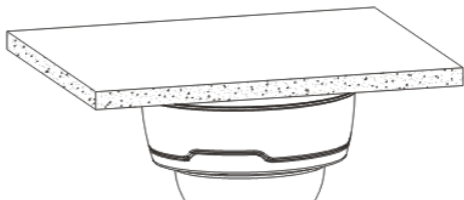
Fix the pedestal by drilling locking holes around the sticker and inserting four expansion bolts into the holes and fastening it with four locking screws. Adjust it to an appropriate angle.

Quick Installation Guide



Locking Screw

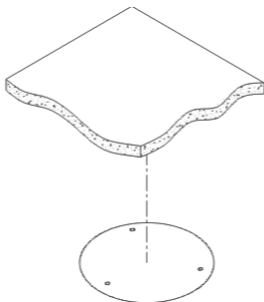
Fix the front component on the pedestal by tightening the three locking screws.



Completion of Installation

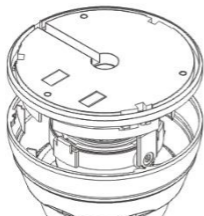
3.4 Installation of Indoor Dome Cameras

Ceiling Mounting



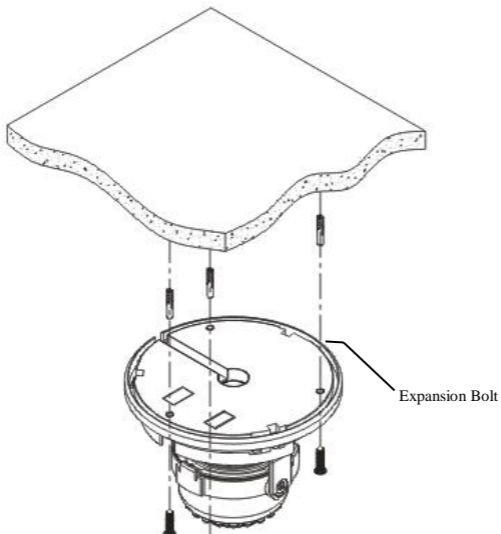
Setup of Sticker

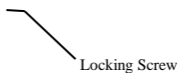
Paste the sticker in place at the proper position as selected.



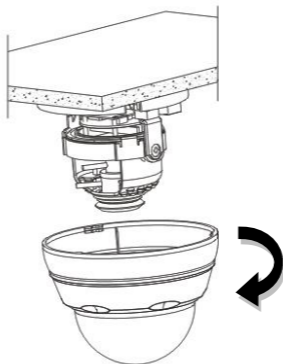


Remove the shield off the camera by rotating the collar down

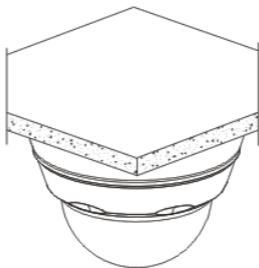




Fix the base by drilling locking holes around the sticker and inserting three expansion bolts into the holes and fastening it with three locking screws. Adjust it to an appropriate angle.

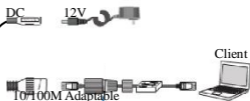


After angle adjustment, mount the shield back by rotating the collar up.



Completion of Installation

4.Connecting Cables



线缆防水结构，请务必安装并打紧！

步骤

① 穿线

Cable Waterproof structure, which must be

Steps

Thread cable

Make crystal head



BNC Output

Reset Button
ALMOUT OUT
COM

DGND
ALARM IN

Audio Input

Audio Output

Connection for Multiple Functions

Note: Some model support POE function, after connect RJ45 cable, no need to connect additional power supply .

Standard models only have basic functions.

full function models have all connectors.

CAUTION

RISK OF EXPLOSION IF BATTERY IS REPLACED BY AN INCORRECT TYPE

DISPOSE OF USED BATTERIES ACCORDING TO THE INSTRUCTIONS

5.Login Menu System

1) Minimum system requirements:

CPU: Intel Core Duo II dual-core processor or higher

Memory: 1G or more

Video memory: 256M or more

Operating system: Windows 7/Windows 8/Windows 2008
(32/64-bit),

Windows 2003/Windows XP/Windows 2000 (only 32-bit)

Display: 1024 × 768 or higher resolution

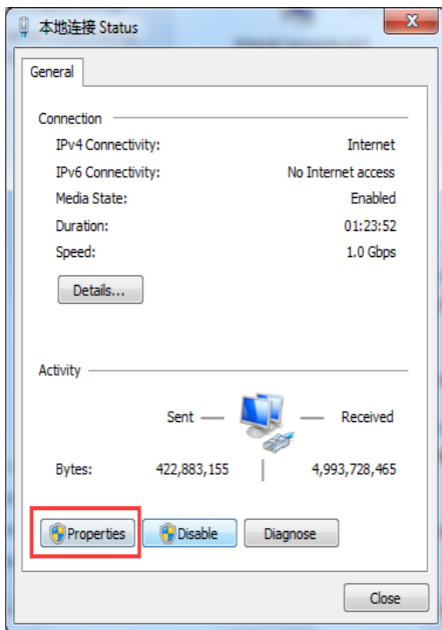
IE: IE 6.0 or higher version

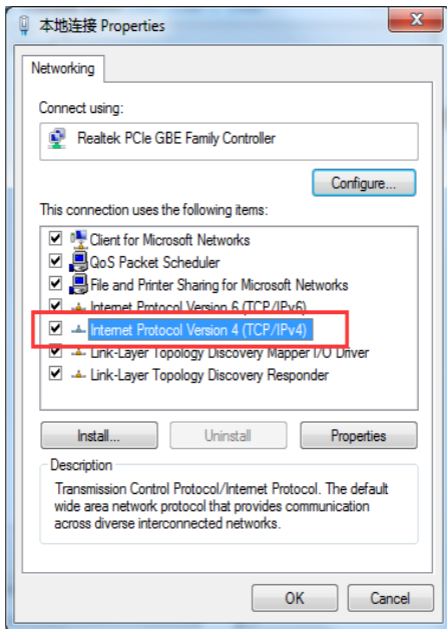
2) Network Connection Configuration

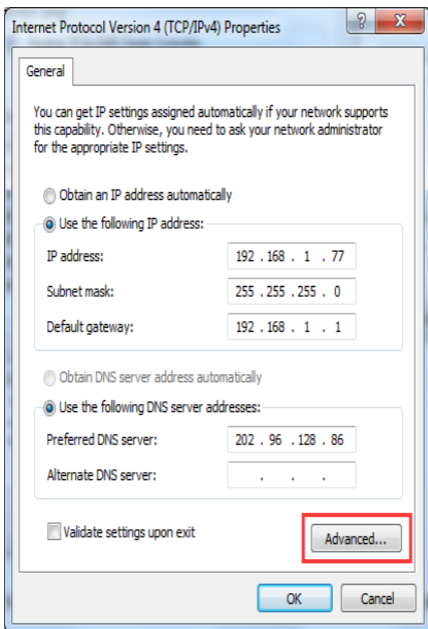
The default static IP address for the equipment is: 192.168.1.168

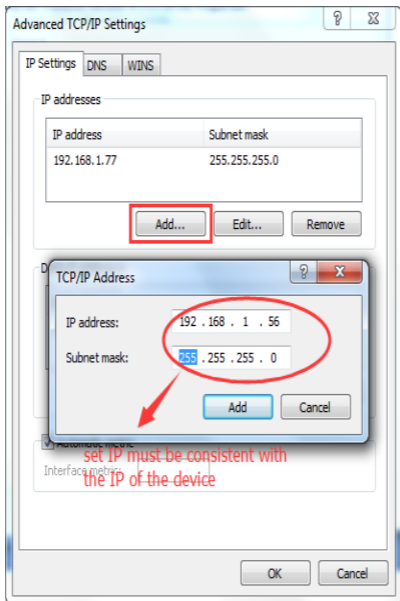
Procedure for Login Web interface:

Step 1: Run to Control Panel > Network Connection and Sharing > Local Connection in Windows 7 system, and set your PC in the same network segment where the camera is located, as shown below.









Note: When software IPC Device Search is used for search, which employs multicast protocol to search network information on the equipment across segments, and no multicast data packet is permitted by any firewall, so a firewall must be disabled to acquire network information on the equipment.

Step 2: Run the IP search tool Device Search provided in the CD as attached.

Search IP address for the equipment within the segment by clicking Search button. Any IP address acquired for the equipment and information on HTTP port will be displayed as below.

The screenshot shows the 'Device Search' application window. It has three tabs: 'Search', 'Platform Set', and 'Manual Setting'. The 'Search' tab is active, displaying a table titled 'Device List'. The table contains 20 rows of device information. Below the table, there are input fields for IP, GateWay, Net Mask, Web Port, and Media Port, along with a 'Modify' button. At the bottom, there are fields for 'Username' (admin) and 'Password', and a 'Change' button. The application title bar reads 'Weston V1.0.0.6'.

No.	IP	Media Port	Channel Number	Device Type	Device Version	Net Mask	GateWay	M
12	172.18.32.108	9988	1	IP Camera	V1.0.1.0_150708	255.255.0.0	172.18.0.1	0
13	172.18.32.111	9000	8	DVR	V5.3.0-20150429	255.255.0.0	172.18.0.1	0
14	172.18.32.113	9000	8	DVR	V5.3.0-20141020	255.255.0.0	172.18.0.1	0
15	172.18.32.146	9000	1	CH293H_16M	V1.0.1.0_150716	255.255.0.0	172.18.0.1	0
16	172.18.32.147	9000	8		V5.2.0-20150326	255.255.0.0	172.18.0.1	0
17	172.18.32.151	9988	1	IP Camera	V1.0.1.0_150708	255.255.0.0	172.18.0.1	0
18	172.18.32.152	9988	1	IP CAMERA	V1.0.1.0-150706	255.255.0.0	172.18.0.1	0
19	172.18.32.161	9000	4	DVR	V6.1.0-20150713	255.255.0.0	172.18.0.1	0
20	172.18.32.210	9988	1	IP Camera	V1.0.1.0_150707	255.255.0.0	172.18.0.1	0
21	172.18.32.215	9988	1	IP Camera	V1.0.1.0_150707	255.255.0.0	172.18.0.1	0
22	172.18.32.218	9000	1	IP Camera	V1.0.1.0_150707	255.255.0.0	172.18.0.1	0
23	172.18.32.219	9000	8		V5.2.0-20150326	255.255.0.0	172.18.0.1	0
24	172.18.32.224	9988	1	IP CAMERA	V1.0.1.1-150421	255.255.0.0	172.18.0.1	0
25	172.18.32.230	9988	1	IPCAMERA	V1.0.1.1-150605	255.255.0.0	172.18.0.1	2
26	172.18.33.44	9000	8		V5.2.0-20150326	255.255.0.0	172.18.0.1	0
27	172.18.33.96	9988	1	IP CAMERA	V1.0.1.1-140812	255.255.0.0	172.18.0.1	0
28	172.18.35.190	9988	1	IP CAMERA	V1.0.1.1-150316	255.255.0.0	172.18.0.1	0
29	192.168.1.14	9988	1	IP Camera	V1.0.1.0_150707	255.255.255.0	192.168.1.1	0
30	192.168.1.58	9988	1	IP CAMERA	V1.0.1.1-150429	255.255.255.0	192.168.1.1	0
31	192.168.1.132	9000	8	VOEVR4108	V5.2.0-20150630	255.255.255.0	192.168.1.1	0

IP: GateWay: Net Mask: Web Port: Media Port:

Username: Password:

Weston V1.0.0.6

Note: In case that access to IE by the equipment may fail due to IP address conflict, the IP address has to be changed.

Changing procedure: Select the IP address to change > put down the correct parameters > enter the password > click Change.

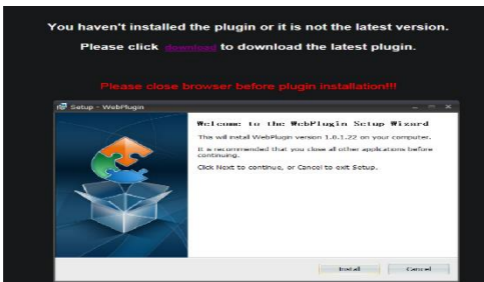
An example of correct parameters is given below: IP address: 192.168.1.123; Gateway: 192.168.1.1; Subnet mask: 255.255.255.0

Account name: admin; Password: admin

Step 3: For initial use of Internet Explorer (IE) for access to the network camera, a plugin has to be installed by the following means:

Access IP address of the IP camera to automatically load the controls from it.

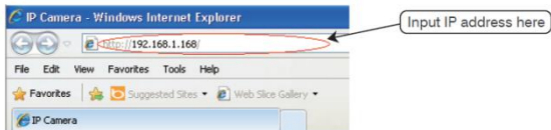
In a pop-up plug-in installation dialog box, choose an installation option to perform the installation process.



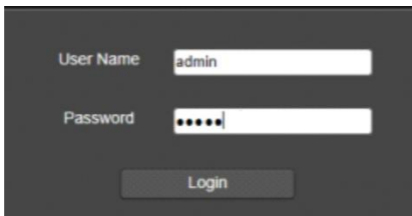
IPC Plugin

Step 5: Open IE and enter the IP address of the equipment in the address

bar and press ENTER.



Step 6: Enter the user name and password (the default user name and password are both "admin"), and click "Login" to log in.



The image shows a login interface on a dark background. It features two input fields: 'User Name' containing the text 'admin' and 'Password' containing six dots. Below these fields is a 'Login' button.

Step 7: After successful login, The default preview page will be displayed.



Warranty Card

Dear User:

Thanks for purchasing our product, in order to offer you better after sales service. Please fulfill the Warranty Card and Product Registration Card carefully, then send the completed card to franchiser or our Exclusive Sales Agent.

Product Description: _____

Product Model No.: _____

Date of Purchase: _____

Invoice(P/O) No.: _____

User Name: _____

Telephone: _____ FAX: _____

Address: _____ E-Mail: _____

Franchiser or exclusive sales agent: _____

Telephone: _____

Warranty Record	Repair Date	Repair Item	Person

Remark: 1)Presentation of Warranty items, please refer to back.

2)The card will be valid after 15 days of purchase when the franchiser or Exclusive sales agent chop.

----- Cut along the dashed -----

Product Registration Card

Product Description: _____

Product model No.: _____

Date of Purchase: _____

Invoice(P/O) No.: _____

User Name: _____

Telephone: _____ FAX: _____

Address: _____ E-Mail: _____

Franchiser or exclusive sales agent: _____

Telephone: _____

Product Warranty Presentation

Warranty Period:

Since the date of purchase. Exchange service after 3 months of purchase, repair service after 1 year of purchase.

Warranty items:

1 Before you use the product ,please read <User s Manual> carefully.

2 You can share the Warranty service after you buy our product and send the completed card to our franchiser or exclusive agent.

3 Based on the Warranty items ,you can share free charge repair service only when you show the card under right operation of the product.

4 Please reserve /keep the Warranty card carefully if you need us repair the product.

5 you are charged for repairing under below condition

1)Beyond the Warranty period

2)no detailed fulfill information with scratches.

3)wrong operation under high temperature/pressure,deep;strong electrimagnetic interference.

4)Do not follow the instruction manual or wrong operation

6 we will ignore product, under below condition.

1)Disemtal repair by themselves.

2)Problem caused by software or virus.

7The card is only valid in China domain.

----- Cut along the dashed -----

Your suggestion on our product is highly appreciated. We will keep tracing and developing to product high quality product for you.

Thanks for your co-operation

Yours Suggestion

--

